

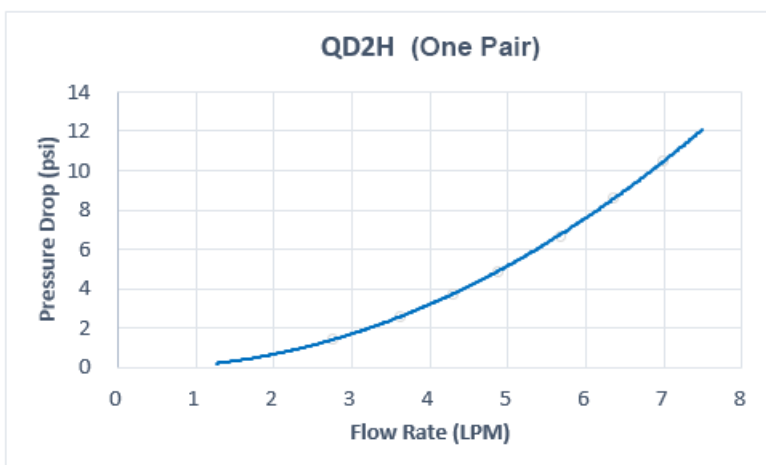
**QD2H Female Quick Disconnect No-Spill Coupling, Panel Barb for 06mm (1/4in)**

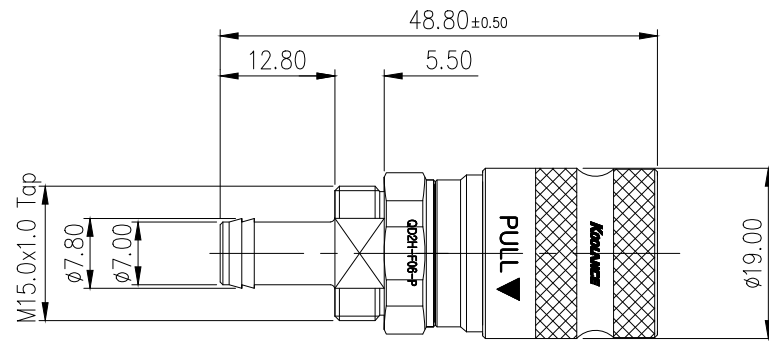
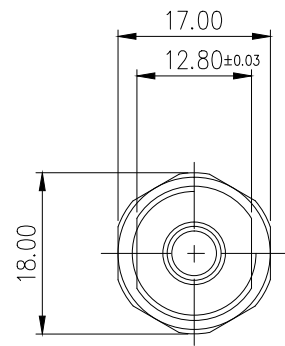
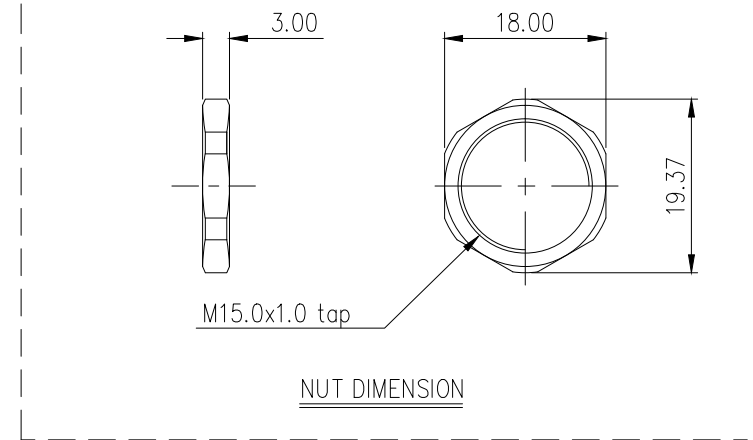


Koolance patented quick disconnect no-spill coupling with automatic shutoff. 6mm (1/4in) ID female panel-mountable barb fitting with spring clamp for 10mm (3/8in) OD. It will only fit a Koolance QD2H male quick disconnect.

After pulling the ring on the female QDC side, the quick-disconnect fittings will separate. Liquid on both sides will be automatically obstructed with approximately 0.2ml freed. Coolant volume lost upon disconnection will rise with internal pressure higher than 10kgf/cm<sup>2</sup> (142psi).

General	
Weight	0.13 lb (0.06 kg)
Max No-Spill Pressure	10kgf/cm <sup>2</sup> (142psi)
Max Pressure Tolerance @ 25° C	12kgf/cm <sup>2</sup> (170.7psi)
Max Temperature Tolerance	80° C (176° F)
Min Pressure Tolerance @ 25° C	-1.0kgf/cm <sup>2</sup> (-14psi)
Min Storage Temperature (*No Freezing)	-20° C (-4° F)
Seal Material	EPDM (Water/Glycol Liquids)
Wetted Materials	Nickel-Plated Brass, Stainless Steel, EPDM





REV	DATE	CONTENTS	APPD BY
		REVISION	

NO.	DESCRIPTION	MATER'L	QUANTITY	REMARKS
		UNIT	MM	PART NO. QD2H-F06-P
		SCALE	N/S	TITLE
		DATE	3RD ANGLE	DIMENSION
	song	DWG. NO.	ITEM	QD2H

