

**QD3 Female Quick Disconnect No-Spill Coupling, Panel Barb for ID 10mm (3/8in)**

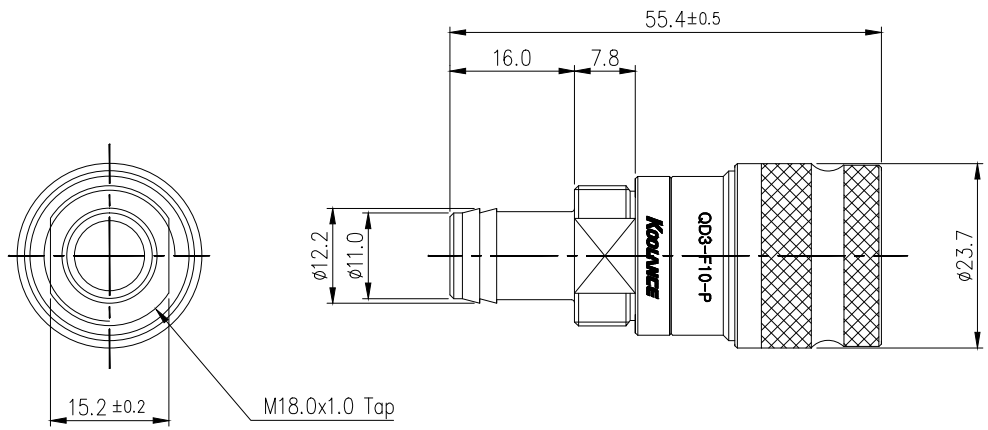
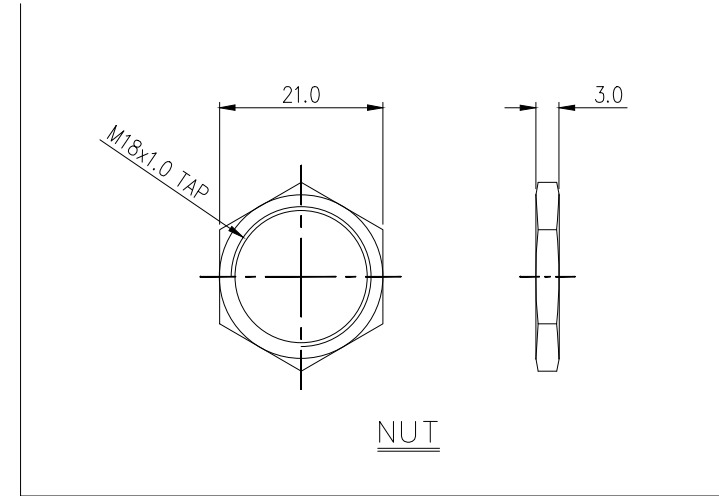


Koolance patented quick disconnect no-spill coupling with automatic shutoff. 10mm (3/8in) ID female panel-mountable barb fitting with spring clamp for 13mm (1/2in) OD. It will only fit a Koolance QD3 male quick disconnect.

After pulling the ring on the female QDC side, the quick-disconnect fittings will separate. Liquid on both sides will be automatically obstructed with approximately 0.2ml freed. Coolant volume lost upon disconnection will rise with internal pressure higher than 0.5kgf/cm<sup>2</sup> (7psi).

General	
Weight	0.20 lb (0.09 kg)
Max No-Spill Pressure	0.5kgf/cm <sup>2</sup> (7psi)
Max Pressure Tolerance @ 25° C	8kgf/cm <sup>2</sup> (113.8psi)
Max Temperature Tolerance	80° C (176° F)
Min Pressure Tolerance @ 25° C	-1.0kgf/cm <sup>2</sup> (-14psi)
Min Storage Temperature (*No Freezing)	-20° C (-4° F)
Seal Material	EPDM (Water/Glycol Liquids)
Wetted Materials	Brass, Nickel Plating, Stainless Steel, EPDM





REV	DATE	CONTENTS	REVD BY	CHKD BY	APPD BY
REVISION					

NO.	DISCRIPTION				MATER'L		QUANTITY	REMARKS
					UNIT	MM		
	<b>KOOLANCE</b>				DECIMAL PLACES	INCHES	MILLIMETRES	ITEM
					.XXX	±.005	±0.1	QD3
					.XX	±.010	±0.3	TITLE
					.X	±.020	±0.5	
	BY	BY	BY	APPRO BY	ANGULAR DIMENSIONS			QD3-F10-P
DATE					XX°	±0.5°		3RD ANGLE
					XX.X°	±0.1°		CODE NO.
					SURFACE ROUGHNESS	SURFACE	SURFACE	DWG. NO.
						.63	1.6	PAGE