

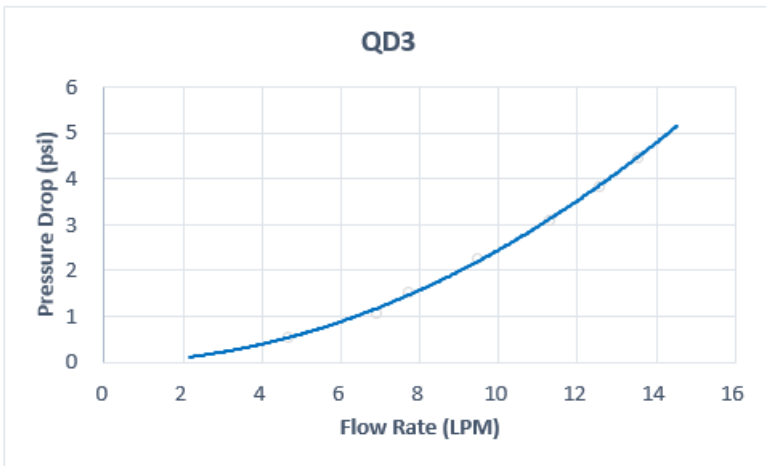
QD3 Female Quick Disconnect No-Spill Coupling, Barb for ID 10mm (3/8in)

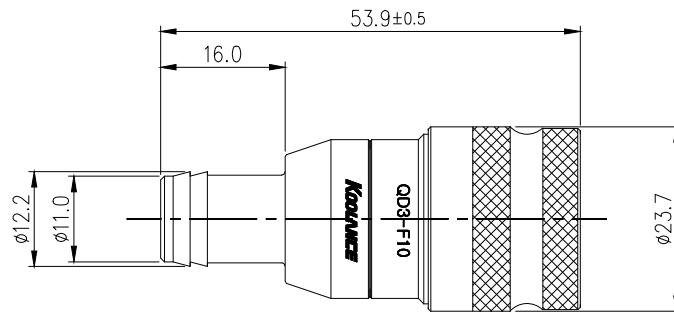


Koolance patented quick disconnect no-spill coupling with automatic shutoff. 10mm (3/8in) ID female hose barb with clamp for 13mm (1/2in) OD. It will only fit a Koolance QD3 male quick disconnect.

After pulling the ring on the female QDC side, the quick-disconnect fittings will separate. Liquid on both sides will be automatically obstructed with approximately 0.2ml freed. Coolant volume lost upon disconnection will rise with internal pressure higher than 0.5kgf/cm² (7psi).

General	
Weight	0.20 lb (0.09 kg)
Materials	Nickel-Plated Brass, Stainless Steel, EPDM
Max Pressure Tolerance @ 25°C	8kgf/cm ² (113.8psi)
Max Temp. Operating Tolerance	100°C (212°F)





REV	DATE	CONTENTS	REVD BY	CHKD BY	APPD BY
REVISION					

NO.	DISCRIPTION			MATER'L		QUANTITY	REMARKS			
	Koolance Inc.			DECIMAL PLACES	INCHES	MILLIMETRES	UNIT	MM	ITEM	QD3
				.XXX	±.005	±0.1	SCALE	N/S	TITLE	QD3-F10
		.XX	±.010	±0.3						
		.X	±.020	±0.5						
DATE	BY	BY	BY	APPRO BY	ANGULAR DIMENSIONS			3RD ANGLE		
					XX'	±0.5'		CODE NO.		
					XX.X'	±0.1'		DWG. NO.		
					SURFACE ROUGHNESS		SURFACE	SURFACE	PAGE	
						.63	1.6			