

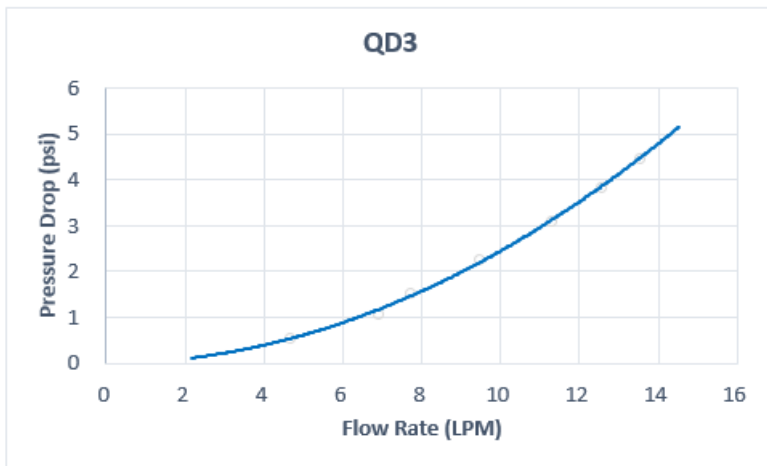
QD3 Female Quick Disconnect No-Spill Coupling, Angle Compression for 10mm x 13mm (3/8in x 1/2in)

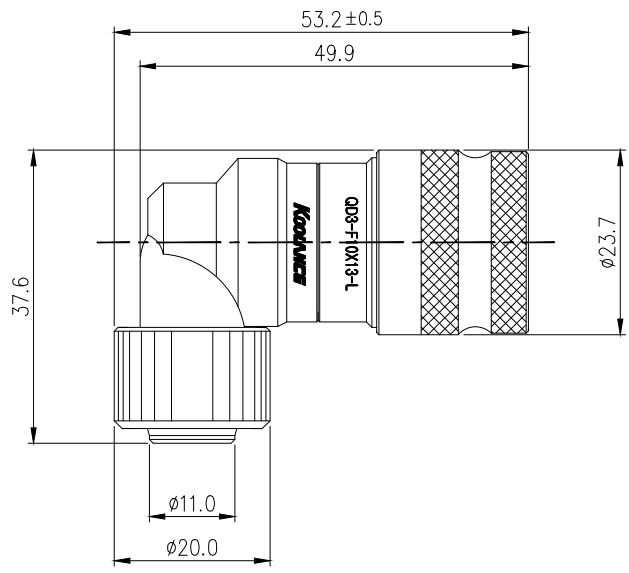


Koolance patented quick disconnect no-spill coupling with automatic shutoff. 10mm (3/8in) ID female swiveling elbow connection with compression fitting. It will only fit a Koolance QD3 male quick disconnect.

After pulling the ring on the female QDC side, the quick-disconnect fittings will separate. Liquid on both sides will be automatically obstructed with approximately 0.2ml freed. Coolant volume lost upon disconnection will rise with internal pressure higher than 0.5kgf/cm² (7psi).

General	
Weight	0.26 lb (0.12 kg)
Materials	Nickel-Plated Brass, Stainless Steel, EPDM
Max Pressure Tolerance @ 25° C	8kgf/cm ² (113.8psi)
Max Temp. Operating Tolerance	100° C (212° F)





REV	DATE	CONTENTS	REVD BY	CHKD BY	APPD BY

NO.	DISCRIPTION			MATER'L		QUANTITY	REMARKS
	Koolance			UNIT	MM	ITEM	QD3
	BY	BY	BY	APPRO	BY	SCALE	N/S
	DATE					TITLE	QD3-F10X13-L
						3RD ANGLE	
						CODE NO.	DWG. NO.
							PAGE

DECIMAL PLACES	INCHES	MILLIMETRES
.XXX	±.005	±0.1
.XX	±.010	±0.3
.X	±.020	±0.5

ANGULAR DIMENSIONS		
XX°	±0.5°	
XX.X°	±0.1°	

SURFACE ROUGHNESS	SURFACE	SURFACE
	.63	1.6