

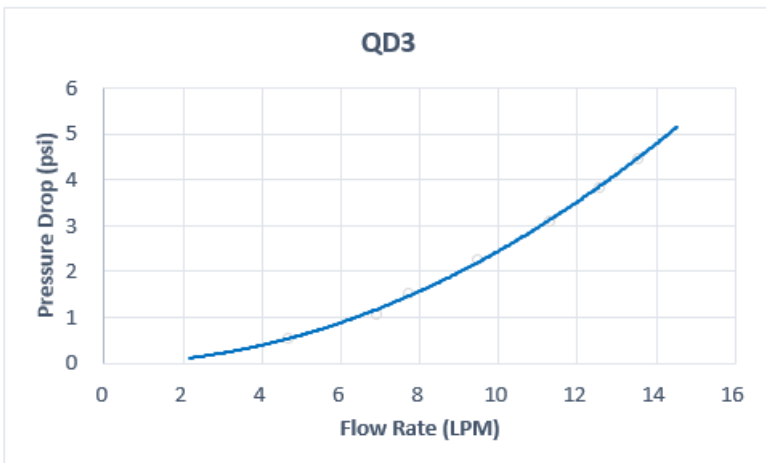
QD3 Female Quick Disconnect No-Spill Coupling, Compression for 10mm x 13mm (3/8in x 1/2in)

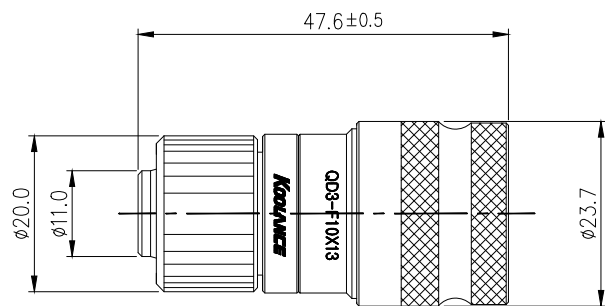


Koolance patented quick disconnect no-spill coupling with automatic shutoff. 10mm (3/8in) ID female straight connection with compression fitting. It will only fit a Koolance QD3 male quick disconnect.

After pulling the ring on the female QDC side, the quick-disconnect fittings will separate. Liquid on both sides will be automatically obstructed with approximately 0.2ml freed. Coolant volume lost upon disconnection will rise with internal pressure higher than 0.5kgf/cm² (7psi).

General	
Weight	0.21 lb (0.10 kg)
Max No-Spill Pressure	0.5kgf/cm ² (7psi)
Max Pressure Tolerance @ 25 °C	8kgf/cm ² (113.8psi)
Max Temperature Tolerance	80 °C (176 °F)
Min Pressure Tolerance @ 25 °C	-1.0kgf/cm ² (-14psi)
Min Storage Temperature (*No Freezing)	-20°C (-4°C)
Seal Material	EPDM (Water/Glycol Liquids)
Wetted Materials	Nickel-Plated Brass, Stainless Steel, EPDM





REV	DATE	CONTENTS	REVD BY	CHKD BY	APPD BY

REVISION

NO.	DISCRIPTION			MATER'L	QUANTITY	REMARKS
	KOOLANCE			UNIT	MM	ITEM QD3
				SCALE	N/S	TITLE
						QD3-F10X13
DATE	BY	BY	BY	APPRO	BY	
						3RD ANGLE
						CODE NO.
						DWG. NO.
						PAGE

DECIMAL PLACES	INCHES	MILLIMETRES
.XXX	±.005	±0.1
.XX	±.010	±0.3
.X	±.020	±0.5

ANGULAR DIMENSIONS		
XX°	±0.5°	
XX.X°	±0.1°	

SURFACE ROUGHNESS		
SURFACE	SURFACE	SURFACE
.63		1.6