

QD3 Female Quick Disconnect No-Spill Coupling, Panel Barb for ID 13mm (1/2in)

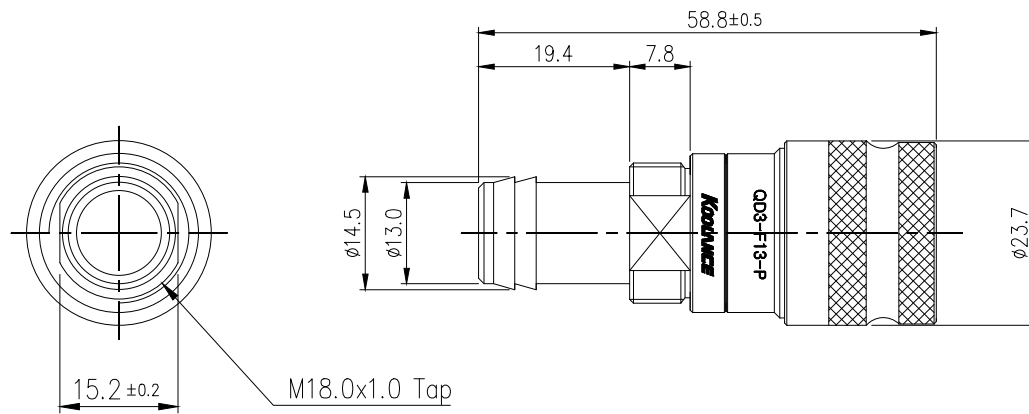
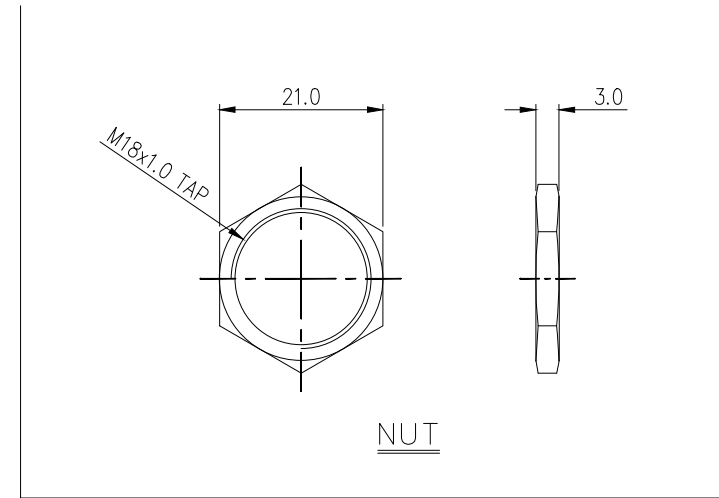


Koolance patented quick disconnect no-spill coupling with automatic shutoff. 13mm (1/2in) ID female panel-mountable barb fitting with spring clamp for 16mm OD (5/8in). It will only fit a Koolance QD3 male quick disconnect.

After pulling the ring on the female QDC side, the quick-disconnect fittings will separate. Liquid on both sides will be automatically obstructed with approximately 0.2ml freed. Coolant volume lost upon disconnection will rise with internal pressure higher than 0.5kgf/cm² (7psi).

| General | |
|--|--|
| Weight | 0.21 lb (0.10 kg) |
| Max No-Spill Pressure | 0.5kgf/cm ² (7psi) |
| Max Pressure Tolerance @ 25° C | 8kgf/cm ² (113.8psi) |
| Max Temperature Tolerance | 80° C (176° F) |
| Min Pressure Tolerance @ 25° C | -1.0kgf/cm ² (-14psi) |
| Min Storage Temperature (*No Freezing) | -20° C (-4° F) |
| Seal Material | EPDM (Water/Glycol Liquids) |
| Wetted Materials | Brass, Nickel Plating, Stainless Steel, EPDM |





| REV | DATE | CONTENTS | REVD BY | CHKD BY | APPD BY |
|----------|------|----------|---------|---------|---------|
| | | | | | |
| REVISION | | | | | |

| NO. | DISCRIPTION | | | | MATER'L | | QUANTITY | REMARKS |
|------|-------------|----|----|----------|--------------------|-----------|----------|-----------|
| | | | | | UNIT | MM | ITEM | QD3 |
| | | | | | | SCALE | N/S | TITLE |
| | | | | | | 3RD ANGLE | | QD3-F13-P |
| DATE | BY | BY | BY | APPRO BY | ANGULAR DIMENSIONS | | CODE NO. | DWG. NO. |
| | | | | | XX' | ±0.5' | | PAGE |
| | | | | | XX.X' | ±0.1' | | |
| | | | | | SURFACE ROUGHNESS | SURFACE | SURFACE | |
| | | | | | | .63 | 1.6 | |