

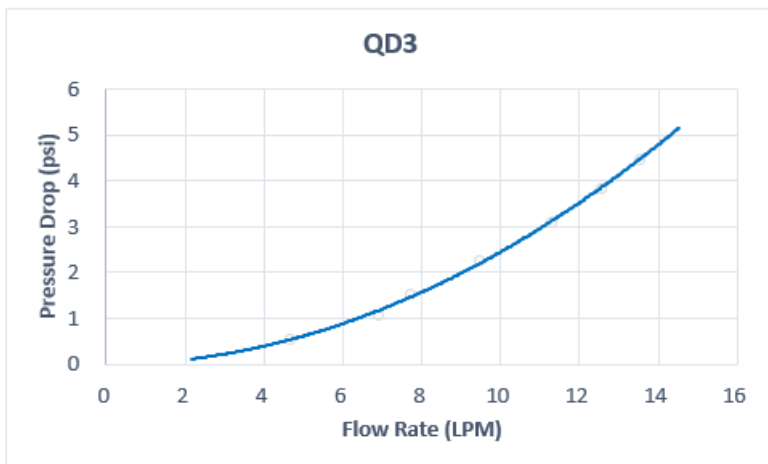
**QD3 Female Quick Disconnect No-Spill Coupling, Barb for ID 13mm (1/2in)**

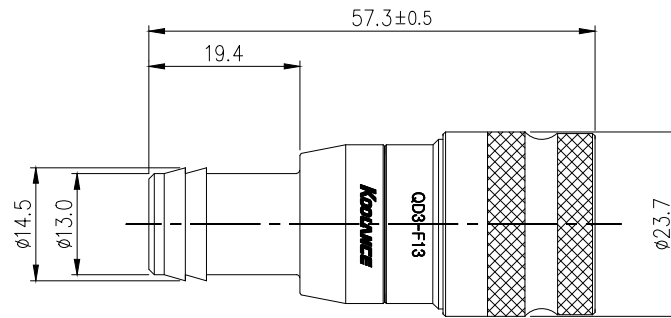


Koolance patented quick disconnect no-spill coupling with automatic shutoff. 13mm (1/2in) ID female hose barb with clamp for 16mm (5/8in) OD. It will only fit a Koolance QD3 male quick disconnect.

After pulling the ring on the female QDC side, the quick-disconnect fittings will separate. Liquid on both sides will be automatically obstructed with approximately 0.2ml freed. Coolant volume lost upon disconnection will rise with internal pressure higher than 0.5kgf/cm<sup>2</sup> (7psi).

General	
Weight	0.22 lb (0.10 kg)
Max No-Spill Pressure	0.5kgf/cm <sup>2</sup> (7psi)
Max Pressure Tolerance @ 25° C	8kgf/cm <sup>2</sup> (113.8psi)
Max Temperature Tolerance	80° C (176° F)
Min Pressure Tolerance @ 25° C	-1.0kgf/cm <sup>2</sup> (-14psi)
Min Storage Temperature (*No Freezing)	-20° C (-4° C)
Seal Material	EPDM (Water/Glycol Liquids)
Wetted Materials	Nickel-Plated Brass, Stainless Steel, EPDM





REV	DATE	CONTENTS	REVD BY	CHKD BY	APPD BY
REVISION					

NO.	DISCRIPTION			MATER'L		QUANTITY	REMARKS					
	<b>KOOLANCE</b> <small>INC.</small>			DECIMAL PLACES	INCHES	MILLIMETRES	UNIT	MM	ITEM	QD3		
				.XXX	±.005	±0.1						
		.XX	±.010	±0.3	SCALE	N/S	TITLE	QD3-F13	CODE NO.	DWG. NO.	PAGE	
		.X	±.020	±0.5								
	DATE	BY	BY	BY	APPRO	BY	ANGULAR DIMENSIONS		3RD ANGLE			
							XX'	±0.5'				
							XX.X'	±0.1'				
							SURFACE ROUGHNESS		SURFACE	SURFACE		
									.63	1.6		