

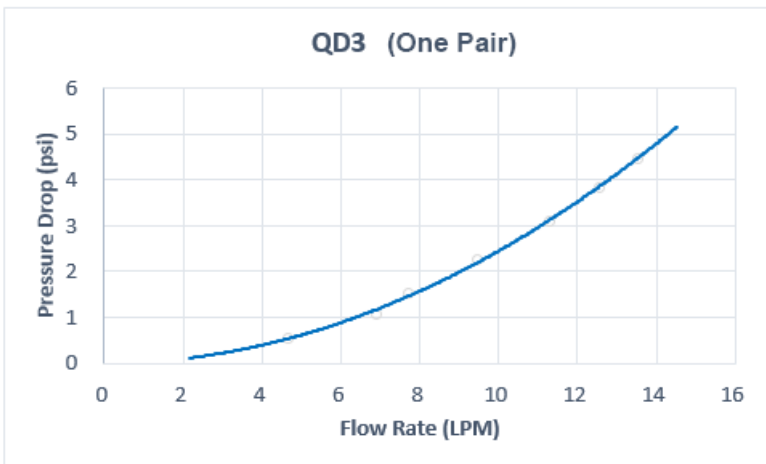
**QD3 Female Quick Disconnect No-Spill Coupling, Compression for 13mm x 19mm (1/2in x 3/4in)**

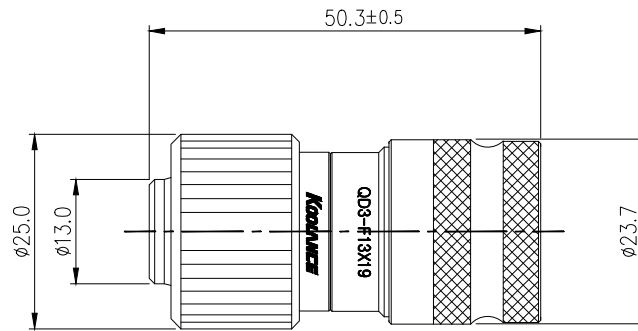


Koolance patented quick disconnect no-spill coupling with automatic shutoff. 13mm (1/2in) ID, 19mm (3/4in) OD female straight connection with compression fitting. It will only fit a Koolance QD3 male quick disconnect.

After pulling the ring on the female QDC side, the quick-disconnect fittings will separate. Liquid on both sides will be automatically obstructed with only 0.5-1mL freed with approximately 0.2ml freed. Coolant volume lost upon disconnection will rise with internal pressure higher than 0.5kgf/cm2 (7psi).

General	
Weight	0.23 lb (0.10 kg)
Max No-Spill Pressure	0.5kgf/cm2 (7psi)
Max Pressure Tolerance @ 25° C	8kgf/cm2 (113.8psi)
Max Temperature Tolerance	80° C (176° F)
Min Pressure Tolerance @ 25° C	-1.0kgf/cm2 (-14psi)
Min Storage Temperature (*No Freezing)	-20° C (-4° F)
Seal Material	EPDM (Water/Glycol Liquids)
Wetted Materials	Brass, Nickel Plating, Stainless Steel, EPDM





REV	DATE	CONTENTS	REVD BY	CHKD BY	APPD BY
REVISION					

NO.	DISCRIPTION			MATER'L		QUANTITY	REMARKS			
	<b>Koolance Inc.</b>			DECIMAL PLACES	INCHES	MILLIMETRES	UNIT	MM	ITEM	QD3
				.XXX	±.005	±0.1				
	.XX	±.010	±0.3	SCALE	N/S	TITLE	3RD ANGLE	CODE NO.	DWG. NO.	PAGE
	.X	±.020	±0.5							
	DATE	BY	BY	BY	APPRO	BY	QD3-F13X19			
							ANGULAR DIMENSIONS			
							XX'	±0.5'		
							XX.X'	±0.1'		
							SURFACE	SURFACE	SURFACE	
							ROUGHNESS	.63	1.6	