

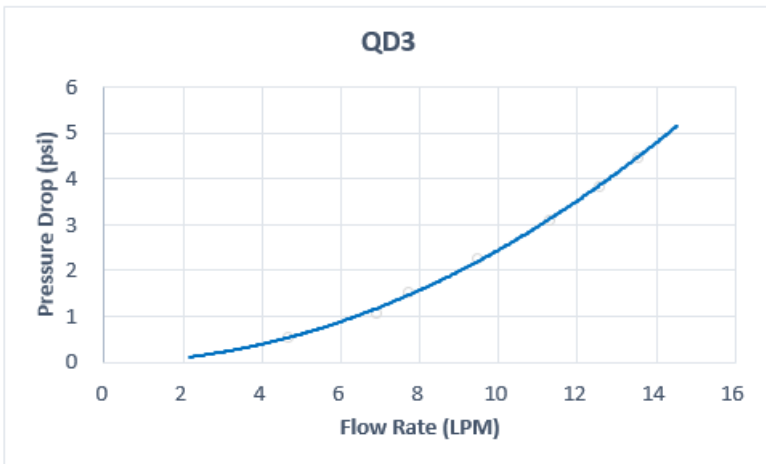
QD3 Female Quick Disconnect No-Spill Coupling, Compression for 10mm x 13mm (3/8in x 1/2in) *Black* (Refurb)

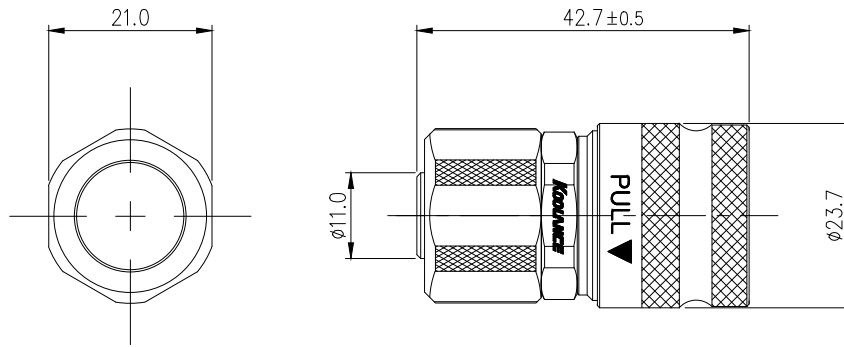


Koolance patented quick disconnect no-spill coupling with automatic shutoff. 10mm (3/8in) ID female straight connection with compression fitting. It will only fit a Koolance QD3 male quick disconnect.


After pulling the ring on the female QDC side, the quick-disconnect fittings will separate. Liquid on both sides will be automatically obstructed with approximately 0.2ml freed. Coolant volume lost upon disconnection will rise with internal pressure higher than 0.5kgf/cm² (7psi).

General	
Weight	0.21 lb (0.10 kg)
Materials	Brass, Stainless Steel, EPDM
Max Pressure Tolerance @ 25°C	8kgf/cm ² (113.8psi)
Max Temp. Operating Tolerance	100°C (212°F)





REV	DATE	CONTENTS	REVD BY	CHKD BY	APPD BY
REVISION					

NO.	DISCIPTION				MATER'L	QUANTITY	REMARKS			
				DECIMAL PLACES	INCHES	MILLIMETRES	UNIT	MM	ITEM	QD3
				.XXX	±.005	±0.1	SCALE	N/S	TITLE	QD3-FS10X13
				.XX	±.010	±0.3	QD3-FS10X13-BK			
				.X	±.020	±0.5				
				ANGULAR DIMENSIONS			3RD ANGLE			
DATE	BY	BY	BY	APPRO BY	XX'	±0.5'		CODE NO.	DWG. NO.	PAGE
	SONG				XX.X'	±0.1'				
					SURFACE ROUGHNESS	SURFACE	SURFACE			
						.63	1.6			