

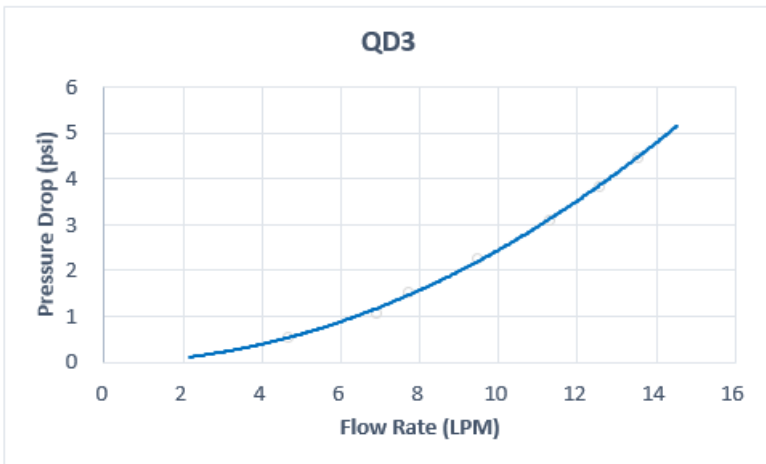
QD3 Female Quick Disconnect No-Spill Coupling, Compression for 10mm x 13mm (3/8in x 1/2in)

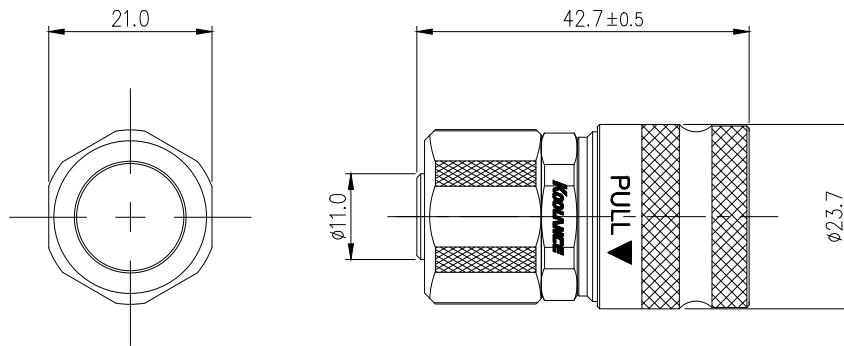


Koolance patented quick disconnect no-spill coupling with automatic shutoff. 10mm (3/8in) ID female straight connection with compression fitting. It will only fit a Koolance QD3 male quick disconnect.

After pulling the ring on the female QDC side, the quick-disconnect fittings will separate. Liquid on both sides will be automatically obstructed with approximately 0.2ml freed. Coolant volume lost upon disconnection will rise with internal pressure higher than 0.5kgf/cm² (7psi).

| General | |
|-------------------------------|--------------------------------------------|
| Weight | 0.21 lb (0.10 kg) |
| Materials | Nickel-Plated Brass, Stainless Steel, EPDM |
| Max Pressure Tolerance @ 25°C | 8kgf/cm ² (113.8psi) |
| Max Temp. Operating Tolerance | 100°C (212°F) |





| | | | | | |
|----------|------|----------|---------|---------|---------|
| REV | DATE | CONTENTS | REVD BY | CHKD BY | APPD BY |
| | | | | | |
| REVISION | | | | | |

| NO. | DISCRIPTION | | | | MATER'L | QUANTITY | REMARKS |
|------|----------------|----|----|----------|--------------------|-----------------|-------------------|
| | KOLANCE | | | | UNIT | MM | ITEM QD3 |
| | | | | | SCALE | N/S | TITLE QD3-FS10X13 |
| | | | | | | | QD3-FS10X13-BK |
| DATE | BY | BY | BY | APPRO BY | ANGULAR DIMENSIONS | | 3RD ANGLE |
| | | | | | XX' | ±0.5' | CODE NO. |
| | | | | | XX.X' | ±0.1' | DWG. NO. |
| | SONG | | | | SURFACE ROUGHNESS | SURFACE SURFACE | PAGE |
| | | | | | | .63 1.6 | |