

**QD3 Female Quick Disconnect No-Spill Coupling, Panel Barb for ID 13mm (1/2in)**



Koolance patented quick disconnect no-spill coupling with automatic shutoff. 13mm (1/2in) ID female panel-mountable hose barb with clamp for 16mm OD (5/8in). It will only fit a Koolance QD3 male quick disconnect.

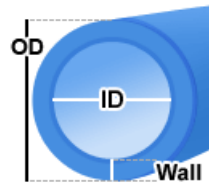
After pulling the ring on the female QDC side, the quick-disconnect fittings will separate. Liquid on both sides will be automatically obstructed with approximately 0.2ml freed. Coolant volume lost upon disconnection will rise with internal pressure higher than 0.5kgf/cm<sup>2</sup> (7psi).

**Intended Tubing Size**

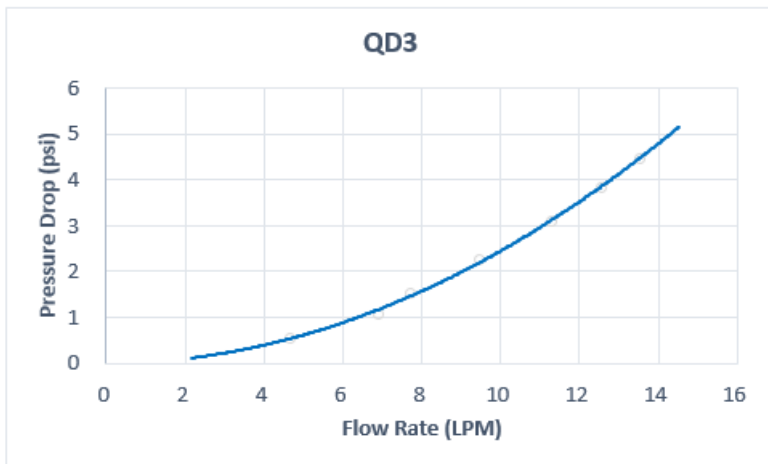
**ID:** 13mm (1/2")

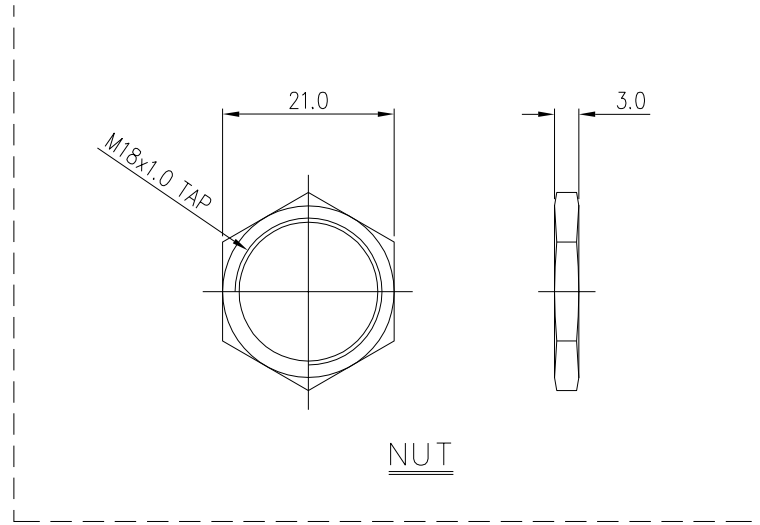
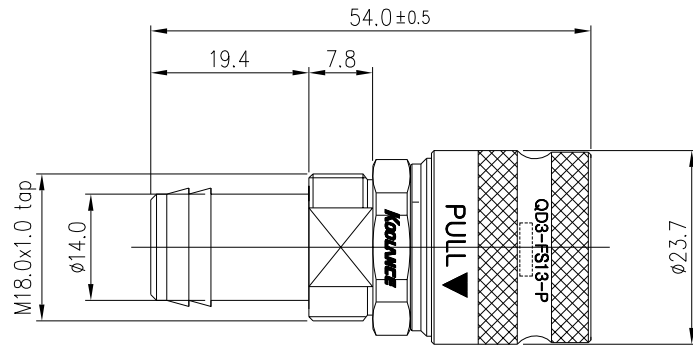
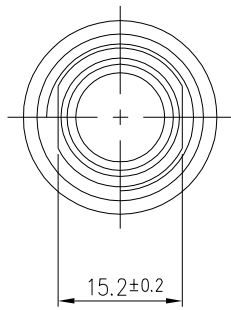
**OD:** 16mm (5/8")

**Wall:** 1.5mm (1/16")



General	
Weight	0.21 lb (0.10 kg)
Materials	Brass, Nickel Plating, Stainless Steel, EPDM
Max Pressure @ 25° C	8kgf/cm <sup>2</sup> (113.8psi)
Max Temperature	100° C (212° F)





REV	DATE	CONTENTS	REVD BY	CHKD BY	APPD BY
REVISION					

NO.	DISCRIPTION			MATER'L		QUANTITY	REMARKS
	<b>Koolance Inc.</b>	DECIMAL PLACES	INCHES	MILLIMETRES	UNIT	MM	ITEM
.XXX .XX .X		±.005 ±.010 ±.020	±0.1 ±0.3 ±0.5	SCALE	N/S	TITLE	QD3-FS13-P
DATE	BY	BY	BY	APPRO BY	ANGULAR DIMENSIONS		3RD ANGLE
					XX° XX.X°	±0.5° ±0.1°	CODE NO.
	SONG				SURFACE ROUGHNESS	SURFACE .63	SURFACE 1.6
						DWG. NO.	PAGE