

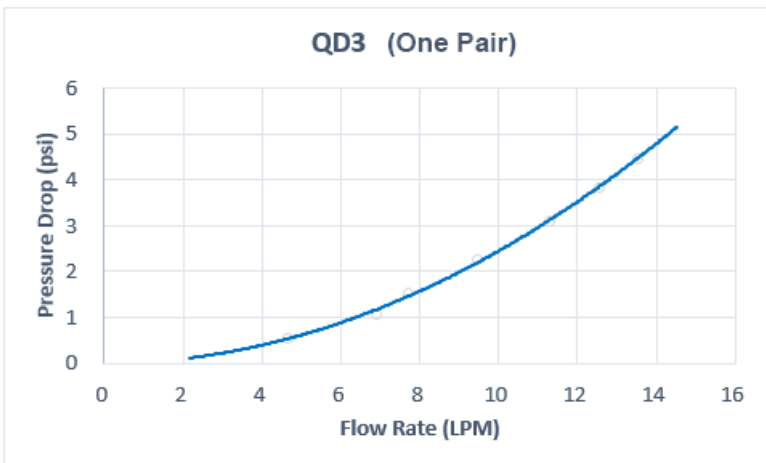
QD3 Female Quick Disconnect No-Spill Coupling, Compression for 13mm x 19mm (1/2in x 3/4in) *Black*

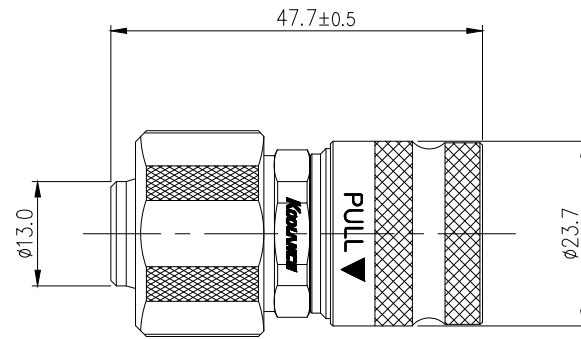
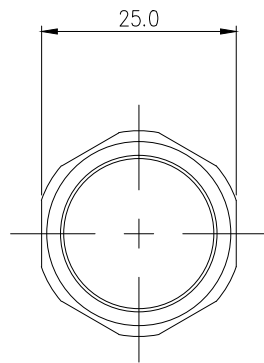


Koolance patented quick disconnect no-spill coupling with automatic shutoff. 13mm (1/2in) ID, 19mm (3/4in) OD female straight connection with compression fitting. It will only fit a Koolance QD3 male quick disconnect.

After pulling the ring on the female QDC side, the quick-disconnect fittings will separate. Liquid on both sides will be automatically obstructed with only 0.5-1mL freed with approximately 0.2ml freed. Coolant volume lost upon disconnection will rise with internal pressure higher than 0.5kgf/cm2 (7psi).

General	
Weight	0.23 lb (0.10 kg)
Max No-Spill Pressure	0.5kgf/cm2 (7psi)
Max Pressure Tolerance @ 25° C	8kgf/cm2 (113.8psi)
Max Temperature Tolerance	80° C (176° F)
Min Pressure Tolerance @ 25° C	-1.0kgf/cm2 (-14psi)
Min Storage Temperature (*No Freezing)	-20° C (-4° F)
Seal Material	EPDM (Water/Glycol Liquids)
Wetted Materials	Brass, Stainless Steel, EPDM





REV	DATE	CONTENTS	REVD BY	CHKD BY	APPD BY
REVISION					

NO.	DISCRIPTION			MATER'L	QUANTITY	REMARKS
KOOLANCE <small>INC.</small>	DECIMAL PLACES	INCHES	MILLIMETRES	UNIT	MM	ITEM QD3
	.XXX .XX .X	±.005 ±.010 ±.020	±0.1 ±0.3 ±0.5	SCALE	N/S	TITLE QD3-FS13X19
DATE	BY	BY	APPRO BY	3RD ANGLE		QD3-FS13X19-BK
	SONG			CODE NO.	DWG. NO.	PAGE
				SURFACE ROUGHNESS	SURFACE	SURFACE
				.63	1.6	