

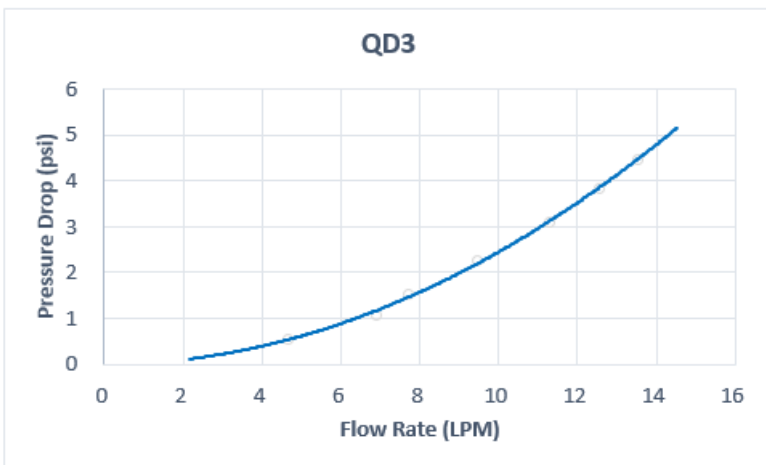
QD3 Female Quick Disconnect No-Spill Coupling, Compression for 13mm x 19mm (1/2in x 3/4in)

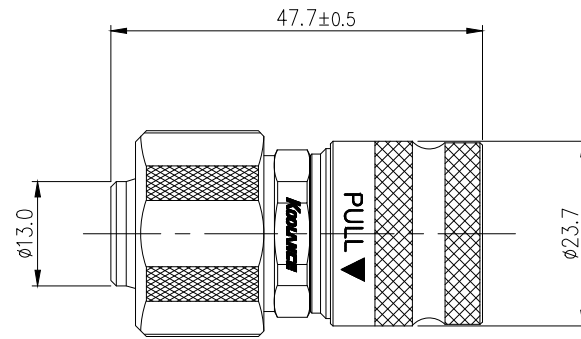
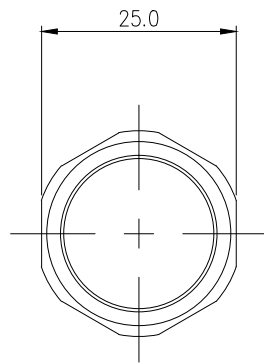


Koolance patented quick disconnect no-spill coupling with automatic shutoff. 13mm (1/2in) ID, 19mm (3/4in) OD female straight connection with compression fitting. It will only fit a Koolance QD3 male quick disconnect.

After pulling the ring on the female QDC side, the quick-disconnect fittings will separate. Liquid on both sides will be automatically obstructed with only 0.5-1mL freed with approximately 0.2ml freed. Coolant volume lost upon disconnection will rise with internal pressure higher than 0.5kgf/cm² (7psi).

| General | |
|-------------------------------|--|
| Weight | 0.23 lb (0.10 kg) |
| Materials | Brass, Nickel Plating, Stainless Steel, EPDM |
| Max Pressure Tolerance @ 25°C | 8kgf/cm ² (113.8psi) |
| Max Temp. Operating Tolerance | 100°C (212°F) |





| | | | | | |
|----------|------|----------|---------|---------|---------|
| REV | DATE | CONTENTS | REVD BY | CHKD BY | APPD BY |
| | | | | | |
| REVISION | | | | | |

| | | | | | | | |
|-----------------|-------------------|-------------------------|----------------------|----------|--------------------|-------------------------|--------------------------|
| NO. | DISCRIPTION | | | | MATER'L | QUANTITY | REMARKS |
| KOOLANCE | DECIMAL PLACES | INCHES | MILLIMETRES | | UNIT | MM | ITEM QD3 |
| | .XXX .XX .X | ±.005 ±.010 ±.020 | ±0.1 ±0.3 ±0.5 | | SCALE | N/S | TITLE QD3-FS13X19 |
| DATE | BY | BY | BY | APPRO BY | ANGULAR DIMENSIONS | | 3RD ANGLE QD3-FS13X19-BK |
| | | | | | XX' XX.X' | ±0.5' ±0.1' | CODE NO. |
| | SONG | | | | SURFACE ROUGHNESS | SURFACE SURFACE SURFACE | DWG. NO. |
| | | | | | .63 | 1.6 | PAGE |