

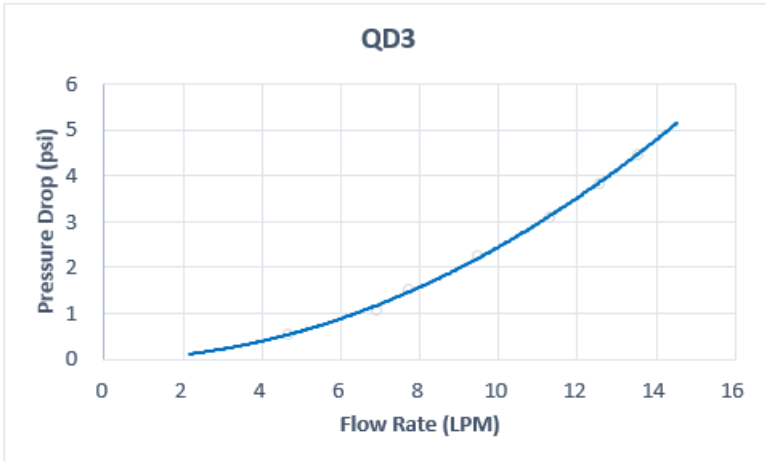
QD3 Female Quick Disconnect No-Spill Coupling, Female Threaded G 1/4 BSPP

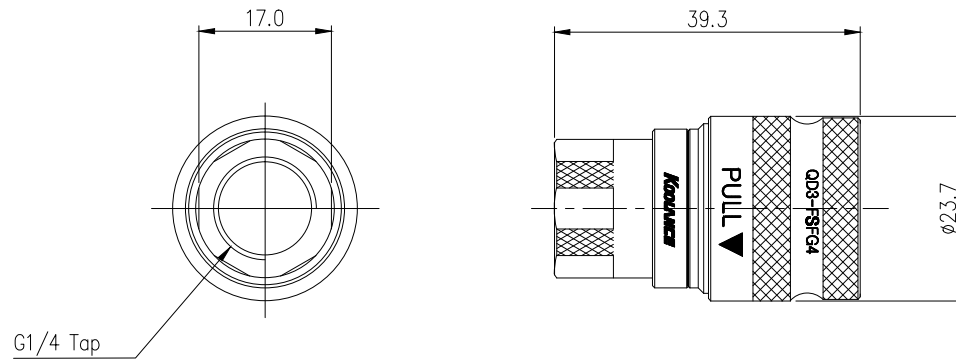


Koolance patented quick disconnect no-spill coupling with automatic shutoff. Opposite is a female G 1/4 BSPP thread for attaching a fitting or barb. The disconnect side will only fit a Koolance QD3 male quick disconnect.

After pulling the ring on the female QDC side, the quick-disconnect fittings will separate. Liquid on both sides will be automatically obstructed with approximately 0.2ml freed. Coolant volume lost upon disconnection will rise with internal pressure higher than 0.5kgf/cm² (7psi).

General	
Weight	0.17 lb (0.08 kg)
Materials	Brass, Nickel Plating, Stainless Steel, EPDM
Max Pressure Tolerance @ 25° C	8kgf/cm ² (113.8psi)
Max Temp. Operating Tolerance	100° C (212° F)





REV	DATE	CONTENTS	REVD BY	CHKD BY	APPD BY
REVISION					

NO.	DISCRIPTION				MATER'L	QUANTITY	REMARKS
	Koolance				UNIT	MM	ITEM QD3
					DECIMAL PLACES	INCHES	MILLIMETRES
		.XXX .XX .X	±.005 ±.010 ±.020	±0.1 ±0.3 ±0.5			QD3-FSFG4
	DATE	BY	BY	APPRO BY	ANGULAR DIMENSIONS		3RD ANGLE
					XX' XX.X'	±0.5' ±0.1'	CODE NO.
		SONG			SURFACE ROUGHNESS	SURFACE SURFACE SURFACE	DWG. NO.
						.63 1.6	PAGE