

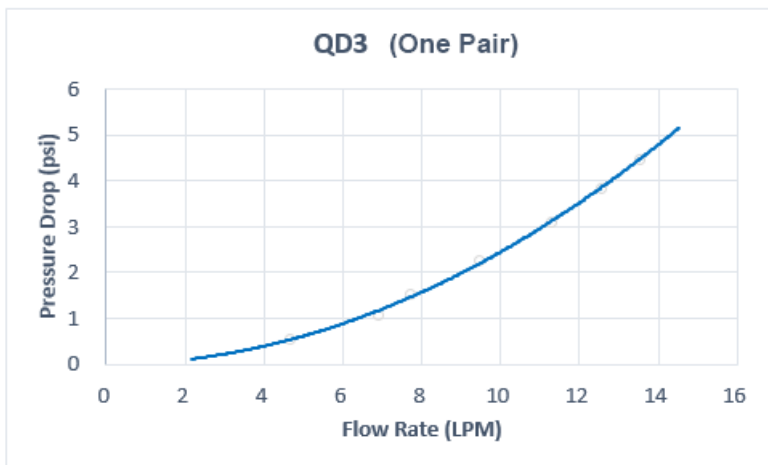
QD3 Female Quick Disconnect No-Spill Coupling, Male Threaded G 1/4 BSPP

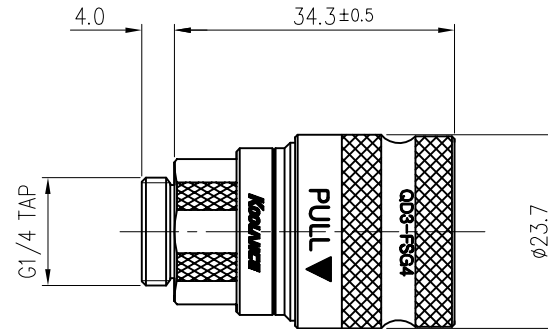
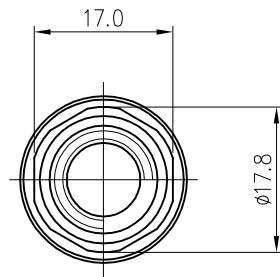


Koolance patented quick disconnect no-spill coupling with automatic shutoff. G 1/4 BSPP (parallel) thread female fitting for screwing directly into a water block or other component. It will only fit a Koolance QD3 male quick disconnect.

After pulling the ring on the female QDC side, the quick-disconnect fittings will separate. Liquid on both sides will be automatically obstructed with approximately 0.2ml freed. Coolant volume lost upon disconnection will rise with internal pressure higher than 0.5kgf/cm² (7psi).

General	
Weight	0.17 lb (0.08 kg)
Fitting Thread	G 1/4 BSPP
Max No-Spill Pressure	0.5kgf/cm ² (7psi)
Max Pressure Tolerance @ 25° C	8kgf/cm ² (113.8psi)
Max Temperature Tolerance	80° C (176° F)
Min Pressure Tolerance @ 25° C	-1.0kgf/cm ² (-14psi)
Min Storage Temperature (*No Freezing)	-20° C (-4° F)
Seal Material	EPDM (Water/Glycol Liquids)
Wetted Materials	Brass, Nickel Plating, Stainless Steel, EPDM





REV	DATE	CONTENTS	REVD BY	CHKD BY	APPD BY
REVISION					

NO.	DISCRIPTION			MATER'L		QUANTITY	REMARKS				
	Koolance			DECIMAL PLACES	INCHES	MILLIMETRES	UNIT	MM	ITEM	QD3 SHORT	
				.XXX	±.005	±0.1					
		.XX	±.010	±0.3	SCALE	N/S	TITLE	QD3-FSG4			
		.X	±.020	±0.5							
	DATE	BY	BY	BY	APPRO BY	ANGULAR DIMENSIONS		3RD ANGLE	CODE NO.	DWG. NO.	PAGE
		SONG				XX°	±0.5°				
						XX.X°	±0.1°				
						SURFACE ROUGHNESS	SURFACE	SURFACE			
							.63	1.6			