

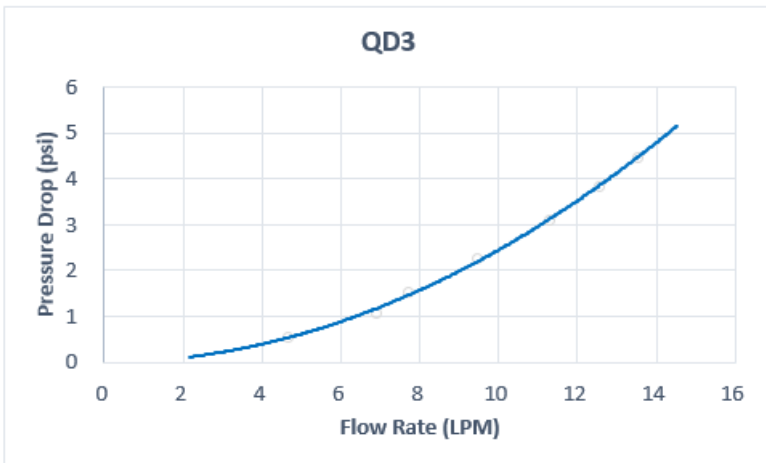
**QD3 Male Quick Disconnect No-Spill Coupling,
Panel Barb for ID 10mm (3/8in)**

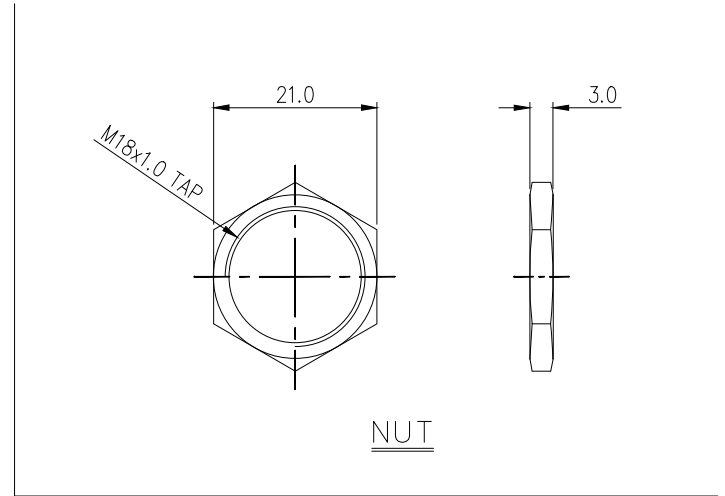
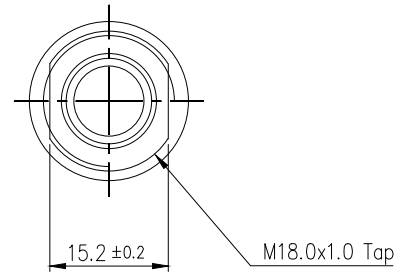
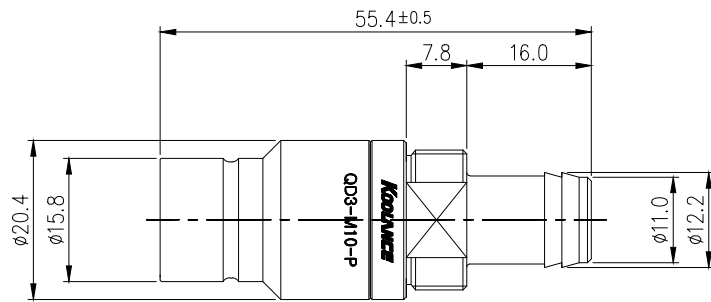


Koolance patented quick disconnect no-spill coupling with automatic shutoff. 10mm (3/8in) ID male panel-mountable hose barb with clamp for 13mm (1/2in) OD. It will only fit a Koolance QD3 female quick disconnect.

After pulling the ring on the female QDC side, the quick-disconnect fittings will separate. Liquid on both sides will be automatically obstructed with approximately 0.2ml freed. Coolant volume lost upon disconnection will rise with internal pressure higher than 0.5kgf/cm² (7psi).

General	
Weight	0.13 lb (0.06 kg)
Materials	Brass, Nickel Plating, Stainless Steel, EPDM
Max Pressure Tolerance @ 25° C	8kgf/cm ² (113.8psi)
Max Temp. Operating Tolerance	100° C (212° F)





REV	DATE	CONTENTS	REVD BY	CHKD BY	APPD BY
REVISION					

NO.	DISCRIPTION				MATER'L		QUANTITY	REMARKS
					UNIT	MM		
	KOOLANCE				DECIMAL PLACES	INCHES	MILLIMETRES	QD3
					.XXX	±.005	±0.1	TITLE QD3-M10-P
					.XX	±.010	±0.3	
					.X	±.020	±0.5	
	DATE	BY	BY	BY	APPRO	ANGULAR DIMENSIONS		3RD ANGLE
						XX°	±0.5°	CODE NO.
						XX.X°	±0.1°	
						SURFACE ROUGHNESS	SURFACE SURFACE SURFACE	DWG. NO.
							.63 1.6	PAGE