

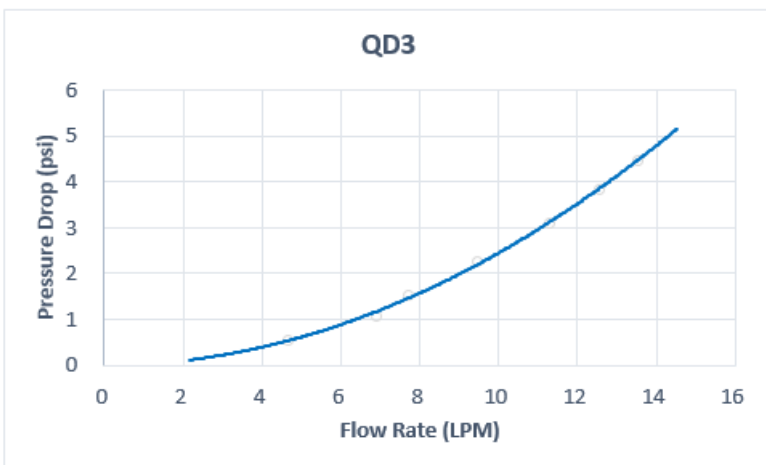
**QD3 Male Quick Disconnect No-Spill Coupling,
Compression for 13mm x 19mm (1/2in x 3/4in)
*Black***

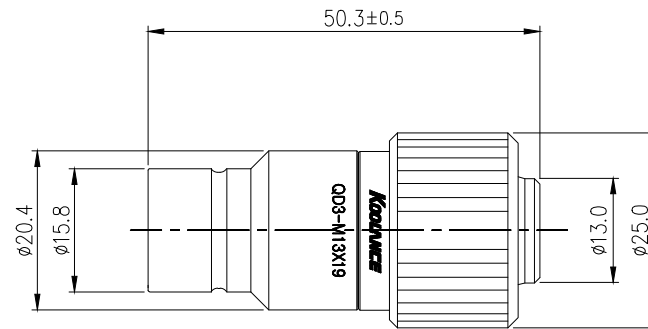


Koolance patented quick disconnect no-spill coupling with automatic shutoff. 13mm (1/2in) ID, 19mm (3/4in) OD male straight connection with compression fitting. It will only fit a Koolance QD3 female quick disconnect.

After pulling the ring on the female QDC side, the quick-disconnect no-spill fittings will separate. Liquid on both sides will be automatically obstructed with approximately 0.2ml freed. Coolant volume lost upon disconnection will rise with internal pressure higher than 0.5kgf/cm² (7psi).

General	
Weight	0.16 lb (0.07 kg)
Max No-Spill Pressure	0.5kgf/cm ² (7psi)
Max Pressure Tolerance @ 25 °C	8kgf/cm ² (113.8psi)
Max Temperature Tolerance	80 °C (176 °F)
Min Pressure Tolerance @ 25 °C	-1.0kgf/cm ² (-14psi)
Min Storage Temperature (*No Freezing)	-20°C (-4°C)
Seal Material	EPDM (Water/Glycol Liquids)
Wetted Materials	Brass, Chrome Plating, Stainless Steel, EPDM





REV	DATE	CONTENTS	REVD BY	CHKD BY	APPD BY

REVISION

NO.	DISCRIPTION			MATER'L		QUANTITY	REMARKS			
	KOOLANCE			DECIMAL PLACES	INCHES	MILLIMETRES	UNIT	MM	ITEM	QD3
				.XXX	±.005	±0.1				
	.XX	±.010	±0.3	SCALE	N/S	TITLE	3RD ANGLE	CODE NO.	DWG. NO.	PAGE
	.X	±.020	±0.5							
	BY	BY	BY	APPRO	BY	QD3-M13X19				
	DATE									
						ANGULAR DIMENSIONS				
						XX'	±0.5'			
						XX.X'	±0.1'			
						SURFACE ROUGHNESS	SURFACE	SURFACE		
							.63	1.6		