

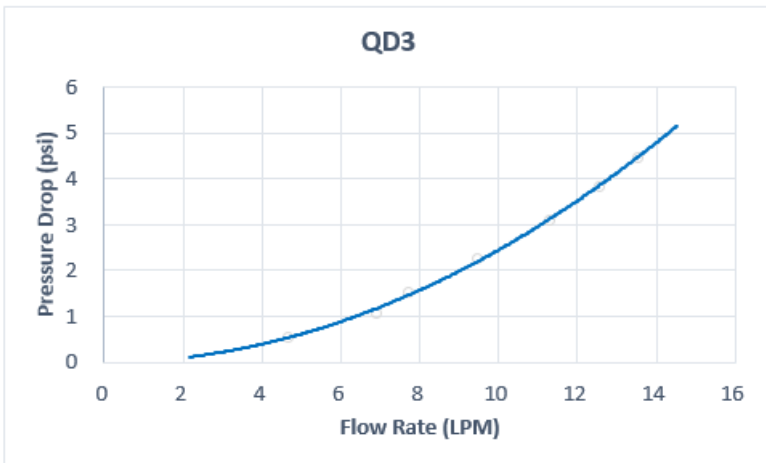
**QD3 Male Quick Disconnect No-Spill Coupling, Compression for 13mm x 19mm (1/2in x 3/4in)**

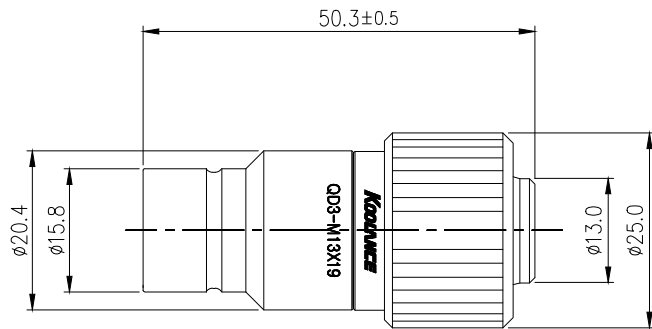


Koolance patented quick disconnect no-spill coupling with automatic shutoff. 13mm (1/2in) ID, 19mm (3/4in) OD male straight connection with compression fitting. It will only fit a Koolance QD3 female quick disconnect.

After pulling the ring on the female QDC side, the quick-disconnect no-spill fittings will separate. Liquid on both sides will be automatically obstructed with approximately 0.2ml freed. Coolant volume lost upon disconnection will rise with internal pressure higher than 0.5kgf/cm<sup>2</sup> (7psi).

General	
Weight	0.16 lb (0.07 kg)
Materials	Brass, Nickel Plating, Stainless Steel, EPDM
Max Pressure Tolerance @ 25° C	8kgf/cm <sup>2</sup> (113.8psi)
Max Temp. Operating Tolerance	100° C (212° F)





REV	DATE	CONTENTS	REVD BY	CHKD BY	APPD BY
REVISION					

NO.	DISCRIPTION				MATER'L		QUANTITY	REMARKS				
	<b>KOLANCE</b>				DECIMAL PLACES	INCHES	MILLIMETRES	UNIT	MM	ITEM	QD3	
					.XXX	±.005	±0.1	SCALE	N/S	TITLE	QD3-M13X19	
				.XX	±.010	±0.3						
				.X	±.020	±0.5						
DATE	BY	BY	BY	APPRO BY	ANGULAR DIMENSIONS			3RD ANGLE		CODE NO.	DWG. NO.	PAGE
					XX°	±0.5°						
					XX.X°	±0.1°						
					SURFACE ROUGHNESS	SURFACE	SURFACE					
						.63	1.6					