

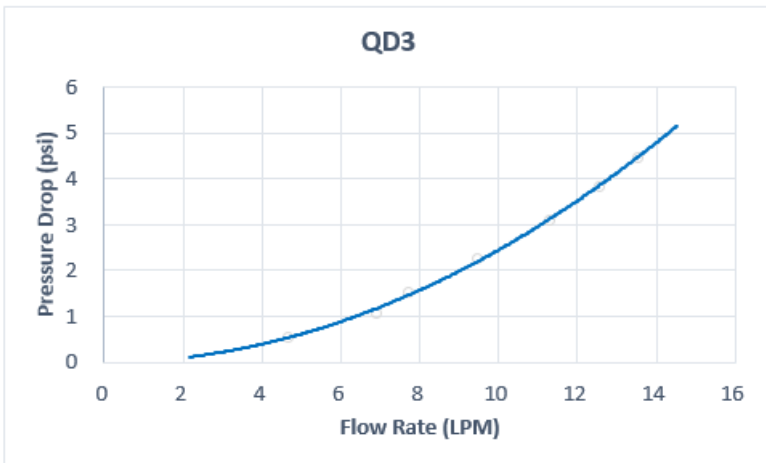
**QD3 Male Quick Disconnect No-Spill Coupling,
Panel Female Threaded G 1/4 BSPP *Black***

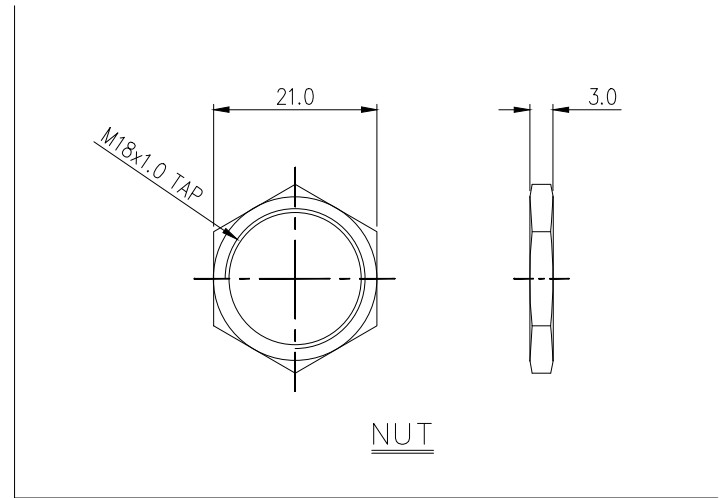
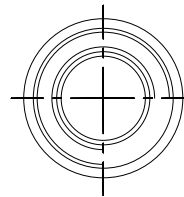
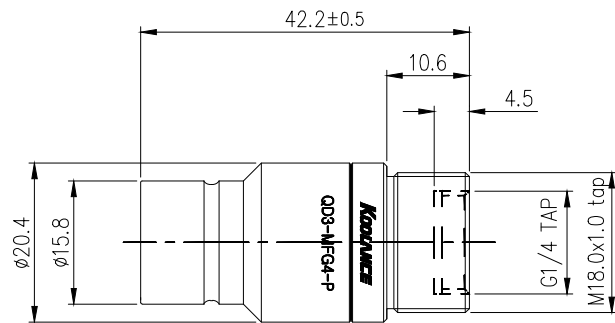


Koolance patented quick disconnect no-spill coupling with automatic shutoff. G 1/4 BSPP (parallel) thread female with panel-mount opposite a male "QD3" quick-disconnect. It will only fit a Koolance QD3 female quick disconnect.

After pulling the ring on the female QDC side, the quick-disconnect fittings will separate. Liquid on both sides will be automatically obstructed with approximately 0.2ml freed. Coolant volume lost upon disconnection will rise with internal pressure higher than 0.5kgf/cm² (7psi). Fittings are chrome-plated brass, EPDM o-rings.

General	
Weight	0.11 lb (0.05 kg)
Materials	Brass, Chrome Plating, Stainless Steel, EPDM
Max Pressure Tolerance @ 25°C	8kgf/cm ² (113.8psi)
Max Temp. Operating Tolerance	100°C (212°F)





REV	DATE	CONTENTS	REVD BY	CHKD BY	APPD BY

REVISION

NO.	DISCRIPTION				MATER'L		QUANTITY	REMARKS
		DECIMAL PLACES	INCHES	MILLIMETRES	UNIT	MM	ITEM	QD3
	.XXX	±.005	±0.1	SCALE	N/S	TITLE	QD3-MFG4-P	
	.XX	±.010	±0.3					
	.X	±.020	±0.5					
DATE	BY	BY	BY	APPRO BY	ANGULAR DIMENSIONS		3RD ANGLE	
					XX'	±0.5'	CODE NO.	DWG. NO.
					XX.X'	±0.1'		PAGE
					SURFACE ROUGHNESS	SURFACE	SURFACE	
					.63	1.6		