

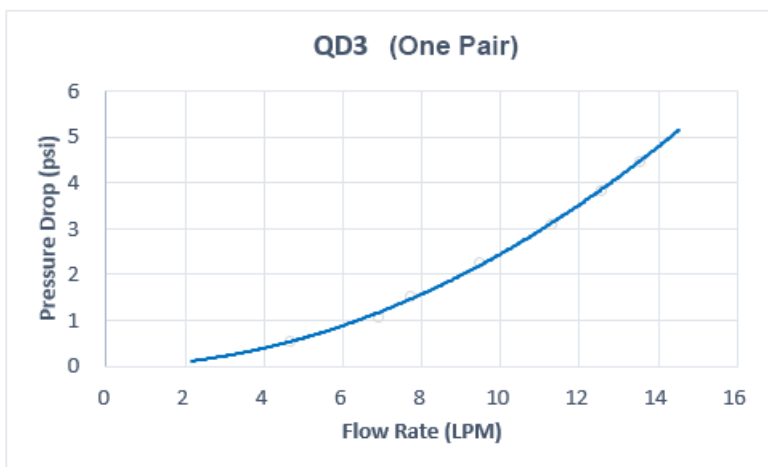
**QD3 Male Quick Disconnect No-Spill Coupling,
Panel Female Threaded G 1/4 BSPP**

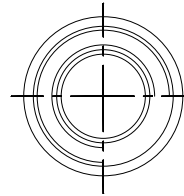
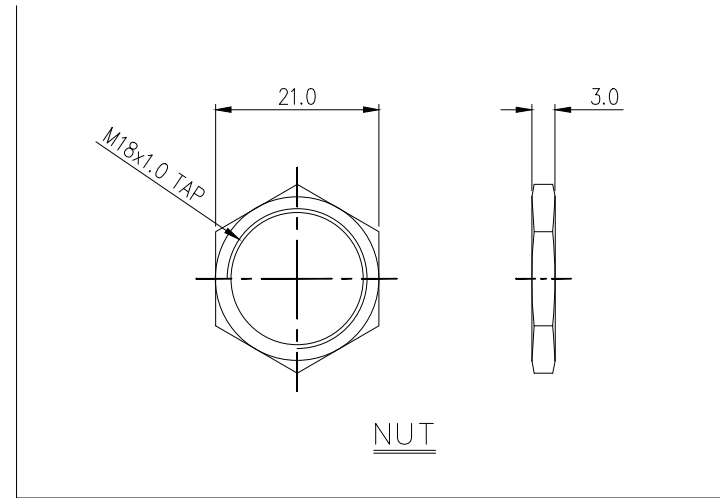
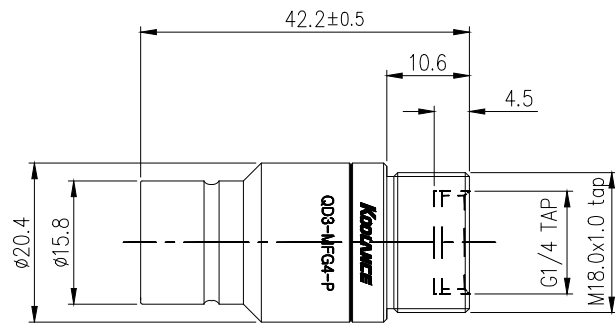


Koolance patented quick disconnect no-spill coupling with automatic shutoff. G 1/4 BSPP (parallel) thread female with panel-mount opposite a male "QD3" quick-disconnect. It will only fit a Koolance QD3 female quick disconnect.

After pulling the ring on the female QDC side, the quick-disconnect fittings will separate. Liquid on both sides will be automatically obstructed with approximately 0.2ml freed. Coolant volume lost upon disconnection will rise with internal pressure higher than 0.5kgf/cm² (7psi). Fittings are nickel-plated brass, EPDM o-rings.

General	
Weight	0.11 lb (0.05 kg)
Max No-Spill Pressure	0.5kgf/cm ² (7psi)
Max Pressure Tolerance @ 25° C	8kgf/cm ² (113.8psi)
Max Temperature Tolerance	80° C (176° F)
Min Pressure Tolerance @ 25° C	-1.0kgf/cm ² (-14psi)
Min Storage Temperature (*No Freezing)	-20° C (-4° F)
Seal Material	EPDM (Water/Glycol Liquids)
Wetted Materials	Brass, Nickel Plating, Stainless Steel, EPDM





REV	DATE	CONTENTS	REVD BY	CHKD BY	APPD BY

REVISION

NO.	DISCRIPTION				MATER'L		QUANTITY	REMARKS
					UNIT	MM		
	KOOLANCE				DECIMAL PLACES	INCHES	MILLIMETRES	QD3
					.XXX	±.005	±0.1	
		.XX	±.010	±0.3	SCALE	N/S	TITLE	QD3-MFG4-P
		.X	±.020	±0.5				
					ANGULAR DIMENSIONS		3RD ANGLE	CODE NO.
					XX°	±0.5°	DWG. NO.	
					XX.X°	±0.1°		
					SURFACE ROUGHNESS	SURFACE	SURFACE	
						.63	1.6	