

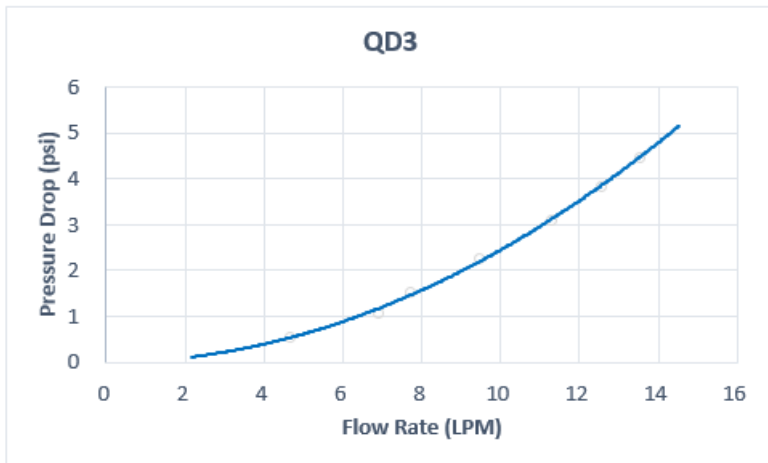
QD3 Male Quick Disconnect No-Spill Coupling, Compression for 10mm x 13mm (3/8in x 1/2in)

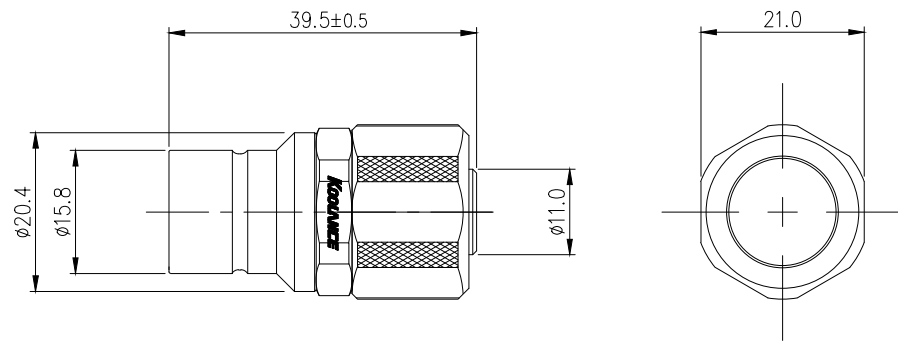


Koolance patented quick disconnect no-spill coupling with automatic shutoff. 10mm (3/8in) ID male straight connection with compression fitting. It will only fit a Koolance QD3 female quick disconnect.

After pulling the ring on the female QDC side, the quick-disconnect fittings will separate. Liquid on both sides will be automatically obstructed with approximately 0.2ml freed. Coolant volume lost upon disconnection will rise with internal pressure higher than 0.5kgf/cm² (7psi).

General	
Weight	0.13 lb (0.06 kg)
Materials	Brass, Nickel Plating, Stainless Steel, EPDM
Max Pressure Tolerance @ 25° C	8kgf/cm ² (113.8psi)
Max Temp. Operating Tolerance	100° C (212° F)





REV	DATE	CONTENTS	REVD BY	CHKD BY	APPD BY
REVISION					

NO.	DISCRIPTION				MATER'L	QUANTITY	REMARKS
KOLANCE <small>INC.</small>	DECIMAL PLACES	INCHES	MILLIMETRES		UNIT	MM	ITEM QD3
	.XXX .XX .X	±.005 ±.010 ±.020	±0.1 ±0.3 ±0.5		SCALE	N/S	TITLE QD3-MS10X13 QD3-MS10X13-BK
DATE	BY	BY	BY	APPRO BY	ANGULAR DIMENSIONS		
					XX' XX.X'	±0.5' ±0.1'	
	SONG				3RD ANGLE		CODE NO.
					SURFACE ROUGHNESS	SURFACE	SURFACE
					.63	1.6	DWG. NO. PAGE