

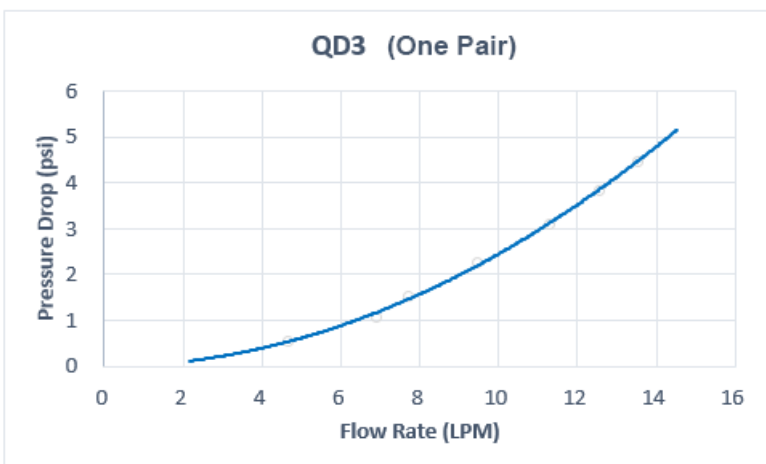
**QD3 Male Quick Disconnect No-Spill Coupling,  
Compression for 10mm x 16mm (3/8in x 5/8in)  
\*Black\***

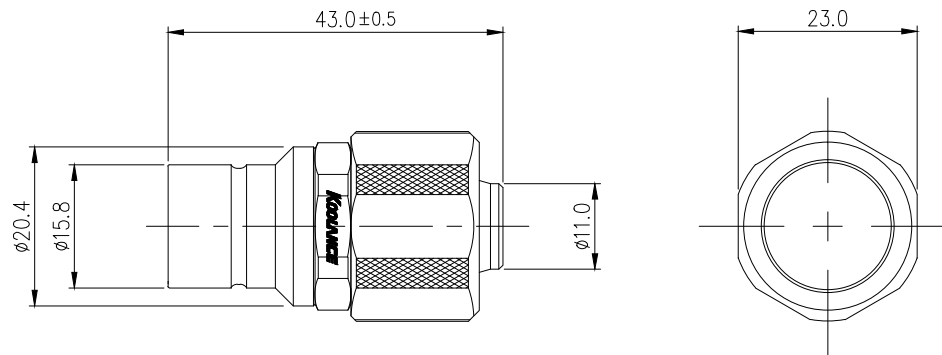


Koolance patented quick disconnect no-spill coupling with automatic shutoff. 10mm (3/8in) ID, 16mm (5/8in) OD male straight connection with compression fitting. It will only fit a Koolance QD3 female quick disconnect.

After pulling the ring on the female QDC side, the quick-disconnect fittings will separate. Liquid on both sides will be automatically obstructed with approximately 0.2ml freed. Coolant volume lost upon disconnection will rise with internal pressure higher than 0.5kgf/cm<sup>2</sup> (7psi).

General	
Weight	0.16 lb (0.07 kg)
Max No-Spill Pressure	0.5kgf/cm <sup>2</sup> (7psi)
Max Pressure Tolerance @ 25°C	8kgf/cm <sup>2</sup> (113.8psi)
Max Temperature Tolerance	80°C (176°F)
Min Pressure Tolerance @ 25°C	-1.0kgf/cm <sup>2</sup> (-14psi)
Min Storage Temperature (*No Freezing)	-20°C (-4°F)
Seal Material	EPDM (Water/Glycol Liquids)
Wetted Materials	Brass, Stainless Steel, EPDM





REV	DATE	CONTENTS	REVD BY	CHKD BY	APPD BY

REVISION

NO.	DISCRIPTION				MATER'L	QUANTITY	REMARKS
Koolance	DECIMAL PLACES	INCHES	MILLIMETRES		UNIT	MM	ITEM QD3
	.XXX .XX .X	±.005 ±.010 ±.020	±0.1 ±0.3 ±0.5		SCALE	N/S	TITLE QD3-MS10X16 QD3-MS10X16-BK
DATE	BY	BY	BY	APPRO BY	ANGULAR DIMENSIONS		3RD ANGLE
					XX' XX.X'	±0.5' ±0.1'	
	SONG				SURFACE ROUGHNESS	SURFACE	SURFACE
					.63	1.6	CODE NO. DWG. NO. PAGE