

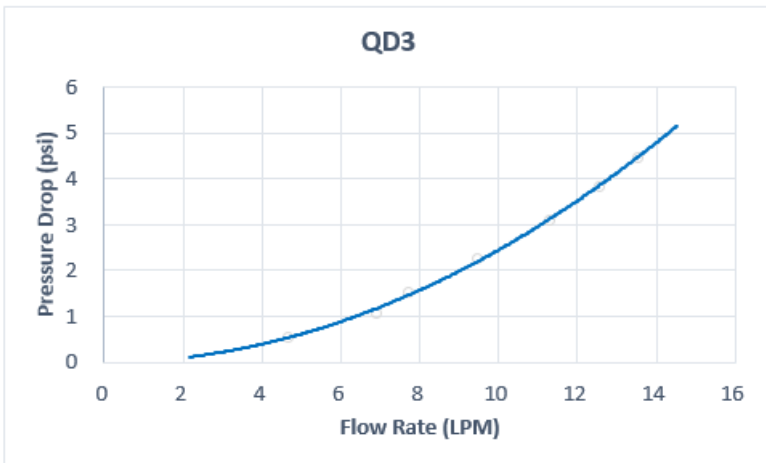
**QD3 Male Quick Disconnect No-Spill Coupling,
Panel Barb for ID 13mm (1/2in)**

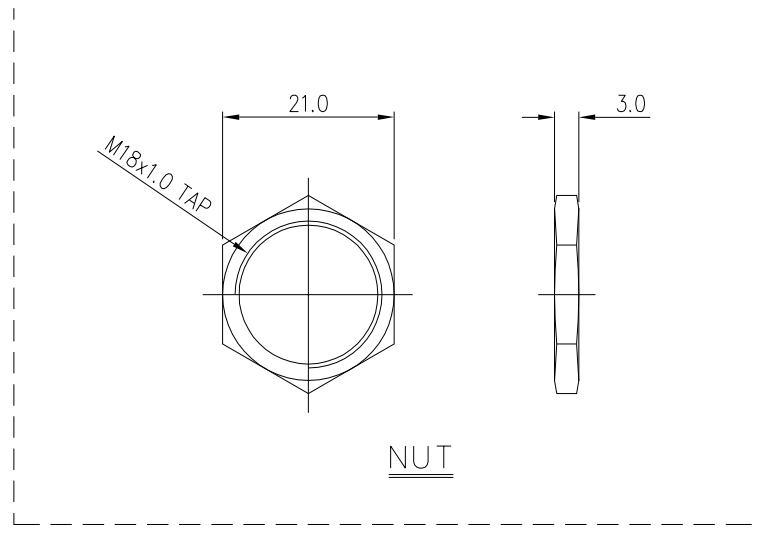
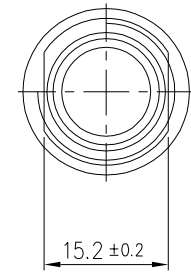
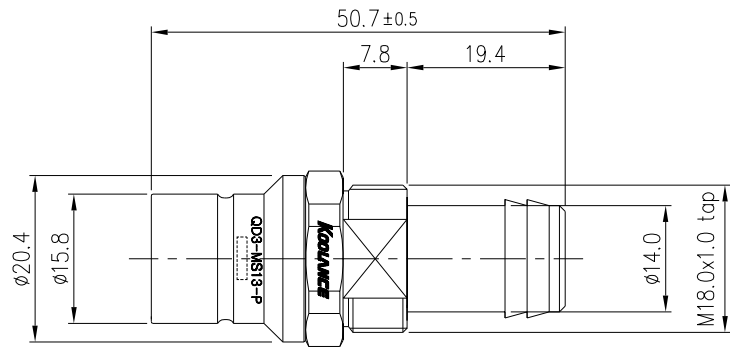


Koolance patented quick disconnect no-spill coupling with automatic shutoff. 13mm (1/2in) ID male panel-mountable hose barb with clamp for 16mm (5/8in) OD. It will only fit a Koolance QD3 female quick disconnect.

After pulling the ring on the female QDC side, the quick-disconnect fittings will separate. Liquid on both sides will be automatically obstructed with approximately 0.2ml freed. Coolant volume lost upon disconnection will rise with internal pressure higher than 0.5kgf/cm² (7psi).

General	
Weight	0.14 lb (0.06 kg)
Materials	Brass, Nickel Plating, Stainless Steel, EPDM
Max Pressure Tolerance @ 25° C	8kgf/cm ² (113.8psi)
Max Temp. Operating Tolerance	100° C (212° F)





NUT

REV	DATE	CONTENTS	REVD BY	CHKD BY	APPD BY
REVISION					

NO.	DISCRIPTION			MATER'L	QUANTITY	REMARKS
	KOLANCE			UNIT	MM	ITEM QD3
	DECIMAL PLACES	INCHES	MILLIMETRES	SCALE	N/S	TITLE QD3-MS13-P
	.XXX	±.005	±0.1			
	.XX	±.010	±0.3			
	.X	±.020	±0.5			
DATE	ANGULAR DIMENSIONS			3RD ANGLE		
	BY	BY	BY	APPRO	BY	
	SONG					
	XX°	±0.5°		CODE NO.	DWG. NO.	PAGE
	XX.X°	±0.1°				
	SURFACE ROUGHNESS	SURFACE	SURFACE			
		.63	1.6			