

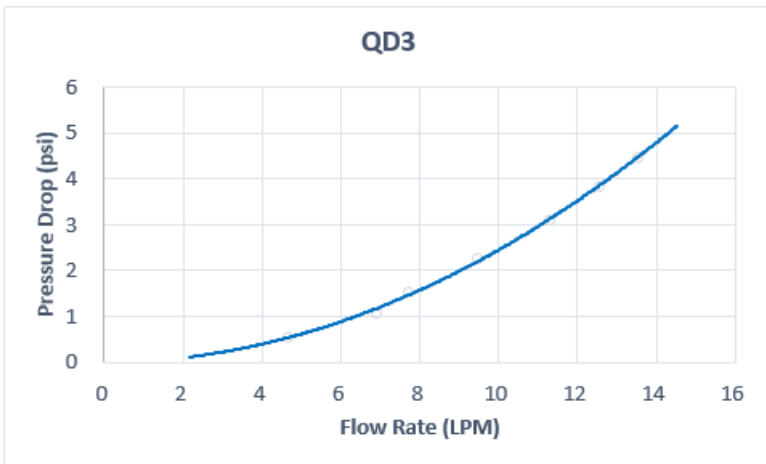
**QD3 Male Quick Disconnect No-Spill Coupling,  
Compression for 13mm x 16mm (1/2in x 5/8in)  
\*Black\***

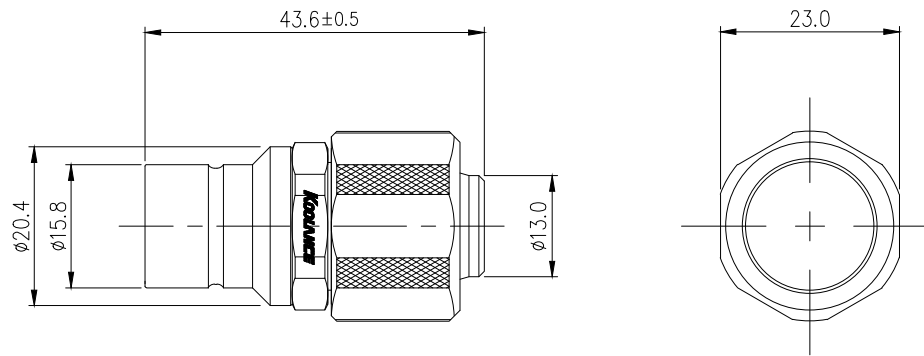


Koolance patented quick disconnect no-spill coupling with automatic shutoff. 13mm (1/2in) ID male straight connection with compression fitting. It will only fit a Koolance QD3 female quick disconnect.

After pulling the ring on the female QDC side, the quick-disconnect fittings will separate. Liquid on both sides will be automatically obstructed with approximately 0.2ml freed. Coolant volume lost upon disconnection will rise with internal pressure higher than 0.5kgf/cm<sup>2</sup> (7psi).

General	
Weight	0.16 lb (0.07 kg)
Materials	Brass, Stainless Steel, EPDM
Max Pressure Tolerance @ 25°C	8kgf/cm <sup>2</sup> (113.8psi)
Max Temp. Operating Tolerance	100°C (212°F)





REV	DATE	CONTENTS	REVD BY	CHKD BY	APPD BY
REVISION					

NO.	DISCRIPTION				MATER'L	QUANTITY	REMARKS
	<b>KOOLANCE</b>				DECIMAL PLACES	INCHES	MILLIMETRES
					.XXX	±.005	±0.1
		.XX	±.010	±0.3			
		.X	±.020	±0.5			
DATE	BY	BY	BY	APPRO BY	SCALE	N/S	TITLE
							QD3-MS13X16
	SONG						QD3-MS13X16-BK
					ANGULAR DIMENSIONS	3RD ANGLE	
					XX°	±0.5°	
					XX.X°	±0.1°	
					SURFACE ROUGHNESS	SURFACE	SURFACE
						.63	1.6
					CODE NO.	DWG. NO.	PAGE