

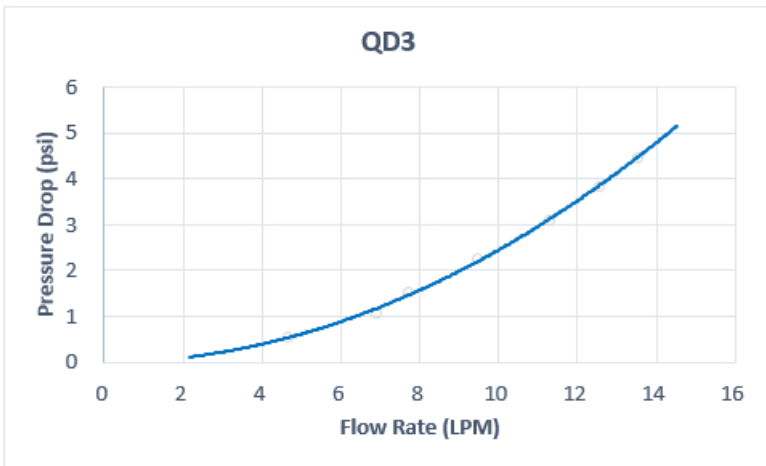
QD3 Male Quick Disconnect No-Spill Coupling, Compression for 13mm x 16mm (1/2in x 5/8in)

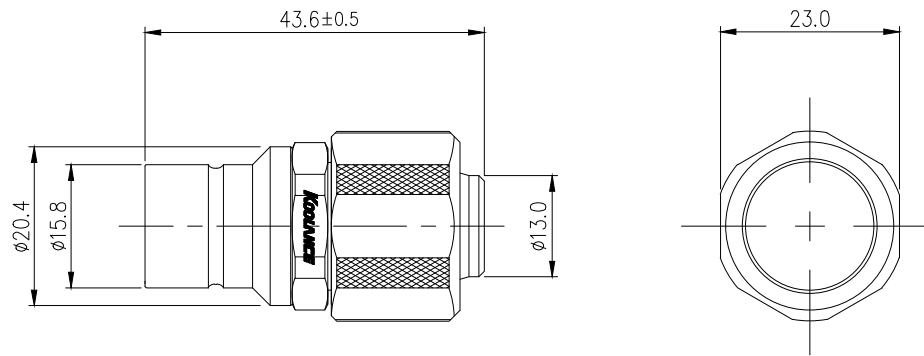


Koolance patented quick disconnect no-spill coupling with automatic shutoff. 13mm (1/2in) ID male straight connection with compression fitting. It will only fit a Koolance QD3 female quick disconnect.

After pulling the ring on the female QDC side, the quick-disconnect fittings will separate. Liquid on both sides will be automatically obstructed with approximately 0.2ml freed. Coolant volume lost upon disconnection will rise with internal pressure higher than 0.5kgf/cm² (7psi).

General	
Weight	0.16 lb (0.07 kg)
Materials	Brass, Nickel Plating, Stainless Steel, EPDM
Max Pressure Tolerance @ 25° C	8kgf/cm ² (113.8psi)
Max Temp. Operating Tolerance	100° C (212° F)





REV	DATE	CONTENTS	REVD BY	CHKD BY	APPD BY
REVISION					

NO.	DISCRIPTION			MATER'L	QUANTITY	REMARKS
KOOLANCE	DECIMAL PLACES	INCHES	MILLIMETRES	UNIT	MM	ITEM QD3
	.XXX .XX .X	±.005 ±.010 ±.020	±0.1 ±0.3 ±0.5	SCALE	N/S	TITLE QD3-MS13X16 QD3-MS13X16-BK
DATE	BY	BY	APPRO BY	ANGULAR DIMENSIONS		3RD ANGLE
				XX' XX.X'	±0.5' ±0.1'	CODE NO.
	SONG			SURFACE ROUGHNESS	SURFACE SURFACE SURFACE .63 1.6	DWG. NO. PAGE