

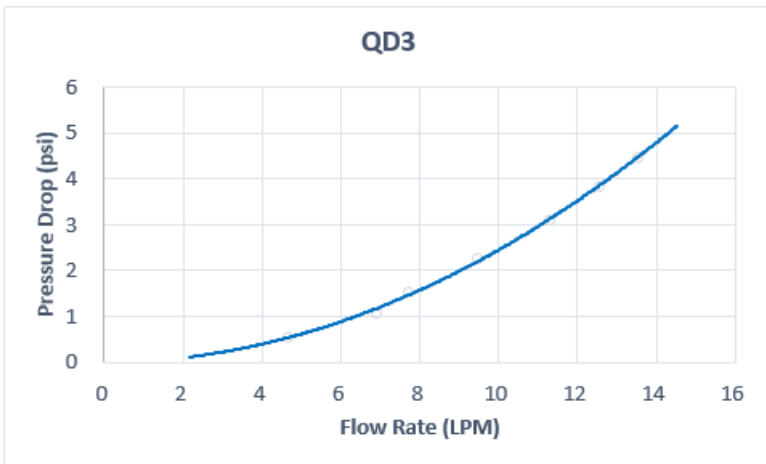
**QD3 Male Quick Disconnect No-Spill Coupling,
Compression for 13mm x 19mm (1/2in x 3/4in)
Black (Refurb)**

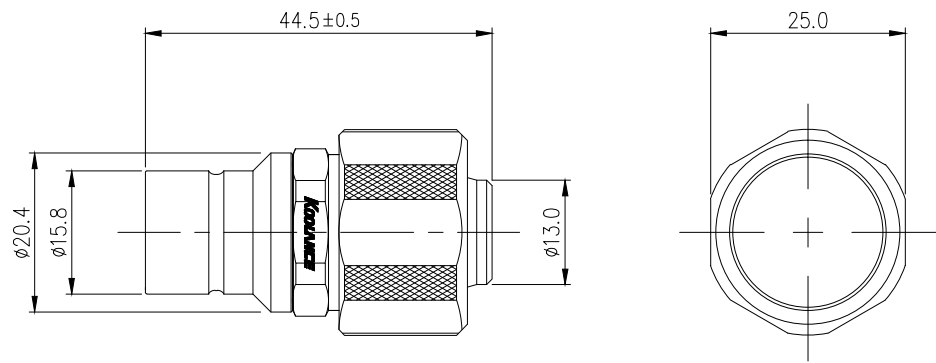


Koolance patented quick disconnect no-spill coupling with automatic shutoff. 13mm (1/2in) ID, 19mm (3/4in) OD male straight connection with compression fitting. It will only fit a Koolance QD3 female quick disconnect.

After pulling the ring on the female QDC side, the quick-disconnect no-spill fittings will separate. Liquid on both sides will be automatically obstructed with approximately 0.2ml freed. Coolant volume lost upon disconnection will rise with internal pressure higher than 0.5kgf/cm² (7psi).

General	
Weight	0.16 lb (0.07 kg)
Materials	Brass, Stainless Steel, EPDM
Max Pressure Tolerance @ 25°C	8kgf/cm ² (113.8psi)
Max Temp. Operating Tolerance	100°C (212°F)





REV	DATE	CONTENTS	REVD BY	CHKD BY	APPD BY
REVISION					

NO.	DISCRIPTION				MATER'L	QUANTITY	REMARKS
KOOLANCE <small>INC.</small>					DECIMAL PLACES	INCHES	MILLIMETRES
					.XXX .XX .X	±.005 ±.010 ±.020	±0.1 ±0.3 ±0.5
DATE	BY	BY	BY	APPRO BY	SCALE	N/S	TITLE
							QD3-MS13X19 QD3-MS13X19-BK
	SONG						
ANGULAR DIMENSIONS					3RD ANGLE		
SURFACE ROUGHNESS					SURFACE	SURFACE	
					.63	1.6	