

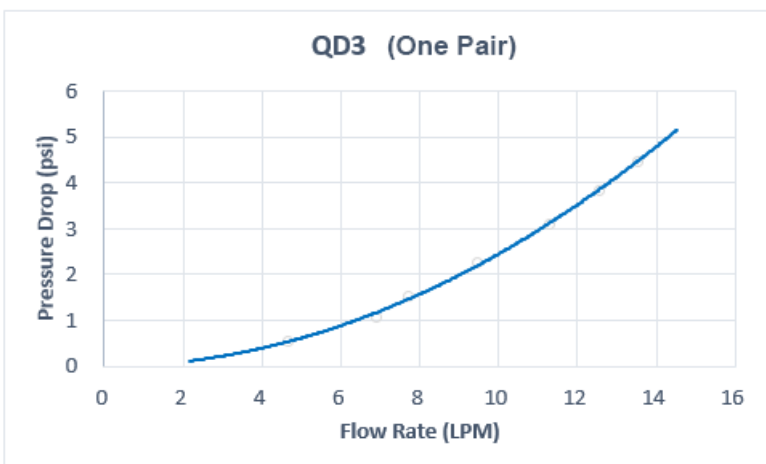
**QD3 Male Quick Disconnect No-Spill Coupling,
Compression for 13mm x 19mm (1/2in x 3/4in)
*Black***

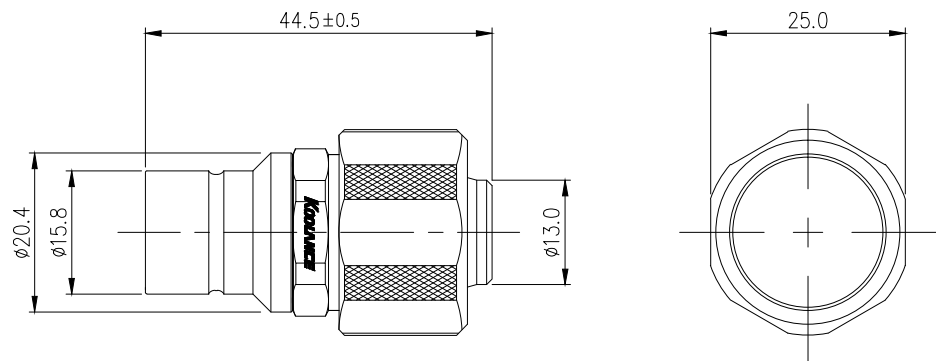


Koolance patented quick disconnect no-spill coupling with automatic shutoff. 13mm (1/2in) ID, 19mm (3/4in) OD male straight connection with compression fitting. It will only fit a Koolance QD3 female quick disconnect.

After pulling the ring on the female QDC side, the quick-disconnect no-spill fittings will separate. Liquid on both sides will be automatically obstructed with approximately 0.2ml freed. Coolant volume lost upon disconnection will rise with internal pressure higher than 0.5kgf/cm² (7psi).


General	
Weight	0.16 lb (0.07 kg)
Max No-Spill Pressure	0.5kgf/cm ² (7psi)
Max Pressure Tolerance @ 25°C	8kgf/cm ² (113.8psi)
Max Temperature Tolerance	80°C (176°F)
Min Pressure Tolerance @ 25°C	-1.0kgf/cm ² (-14psi)
Min Storage Temperature (*No Freezing)	-20°C (-4°F)
Seal Material	EPDM (Water/Glycol Liquids)
Wetted Materials	Brass, Stainless Steel, EPDM





REV	DATE	CONTENTS	REVD BY	CHKD BY	APPD BY

REVISION

NO.	DISCRIPTION			MATER'L	QUANTITY	REMARKS												
				UNIT	MM	ITEM QD3												
				SCALE	N/S	TITLE QD3-MS13X19												
DATE	BY	BY	APPRO BY	3RD ANGLE		QD3-MS13X19-BK												
	SONG			CODE NO.	DWG. NO.	PAGE												
				<table border="1"> <thead> <tr> <th>DECIMAL PLACES</th> <th>INCHES</th> <th>MILLIMETRES</th> </tr> </thead> <tbody> <tr> <td>.XXX</td> <td>±.005</td> <td>±0.1</td> </tr> <tr> <td>.XX</td> <td>±.010</td> <td>±0.3</td> </tr> <tr> <td>.X</td> <td>±.020</td> <td>±0.5</td> </tr> </tbody> </table>			DECIMAL PLACES	INCHES	MILLIMETRES	.XXX	±.005	±0.1	.XX	±.010	±0.3	.X	±.020	±0.5
DECIMAL PLACES	INCHES	MILLIMETRES																
.XXX	±.005	±0.1																
.XX	±.010	±0.3																
.X	±.020	±0.5																
				<table border="1"> <thead> <tr> <th colspan="3">ANGULAR DIMENSIONS</th> </tr> <tr> <th>XX°</th> <th colspan="2">±0.5°</th> </tr> <tr> <th>XX.X°</th> <th colspan="2">±0.1°</th> </tr> </thead> <tbody> <tr> <td></td> <td></td> <td></td> </tr> </tbody> </table>			ANGULAR DIMENSIONS			XX°	±0.5°		XX.X°	±0.1°				
ANGULAR DIMENSIONS																		
XX°	±0.5°																	
XX.X°	±0.1°																	
				<table border="1"> <thead> <tr> <th colspan="3">SURFACE ROUGHNESS</th> </tr> <tr> <th>SURFACE</th> <th>SURFACE</th> <th>SURFACE</th> </tr> </thead> <tbody> <tr> <td></td> <td>.63</td> <td>1.6</td> </tr> </tbody> </table>			SURFACE ROUGHNESS			SURFACE	SURFACE	SURFACE		.63	1.6			
SURFACE ROUGHNESS																		
SURFACE	SURFACE	SURFACE																
	.63	1.6																