

**QD3 Male Quick Disconnect No-Spill Coupling,
Panel Female Threaded G 1/4 BSPP**

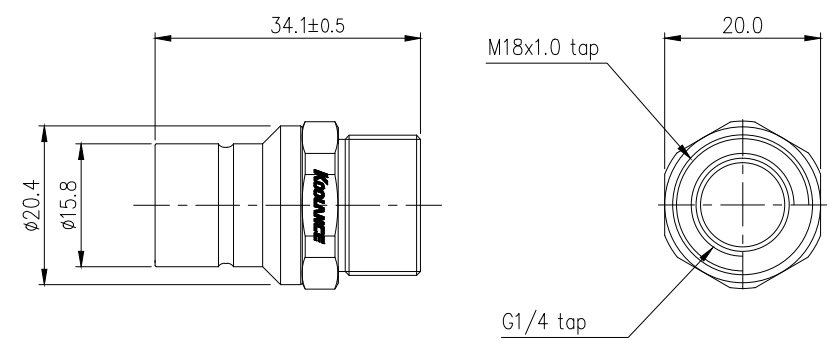
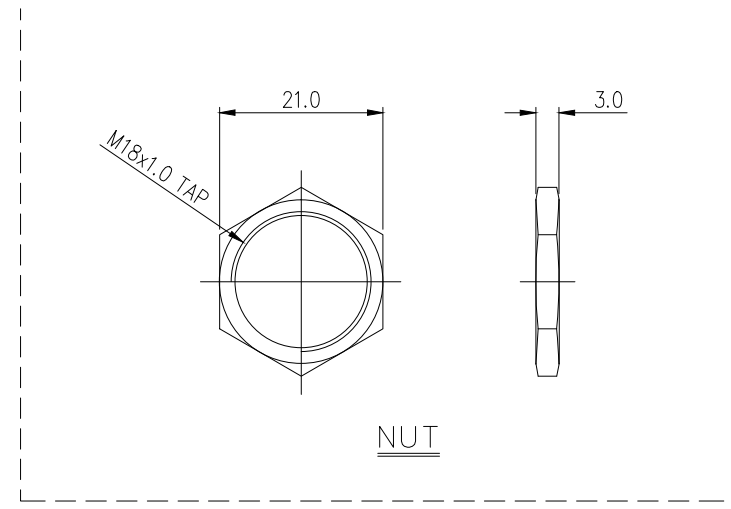


Koolance patented quick disconnect no-spill coupling with automatic shutoff. G 1/4 BSPP (parallel) thread female with panel-mount opposite a male "QD3" quick-disconnect. It will only fit a Koolance QD3 female quick disconnect.

After pulling the ring on the female QDC side, the quick-disconnect fittings will separate. Liquid on both sides will be automatically obstructed with approximately 0.2ml freed. Coolant volume lost upon disconnection will rise with internal pressure higher than 0.5kgf/cm² (7psi). Fittings are nickel-plated brass, EPDM o-rings.

General	
Weight	0.11 lb (0.05 kg)
Fitting Thread	G 1/4 BSPP
Max No-Spill Pressure	0.5kgf/cm ² (7psi)
Max Pressure Tolerance @ 25° C	8kgf/cm ² (113.8psi)
Max Temperature Tolerance	80° C (176° F)
Min Pressure Tolerance @ 25° C	-1.0kgf/cm ² (-14psi)
Min Storage Temperature (*No Freezing)	-20° C (-4° F)
Seal Material	EPDM (Water/Glycol Liquids)
Wetted Materials	Brass, Nickel Plating, Stainless Steel, EPDM





REV	DATE	CONTENTS	REVD BY	CHKD BY	APPD BY
REVISION					

NO.	DISCRIPTION				MATER'L	QUANTITY	REMARKS
KOULANCE <small>INC.</small>	DECIMAL PLACES	INCHES	MILLIMETRES		UNIT	MM	ITEM QD3
	.XXX .XX .X	±.005 ±.010 ±.020	±0.1 ±0.3 ±0.5		SCALE	N/S	TITLE QD3-MSFG4-P QD3-MSFG4-P-BK
DATE	BY	BY	BY	APPRO BY	3RD ANGLE		CODE NO.
	SONG				ANGULAR DIMENSIONS		DWG. NO.
					SURFACE ROUGHNESS		PAGE
					.63 1.6		