

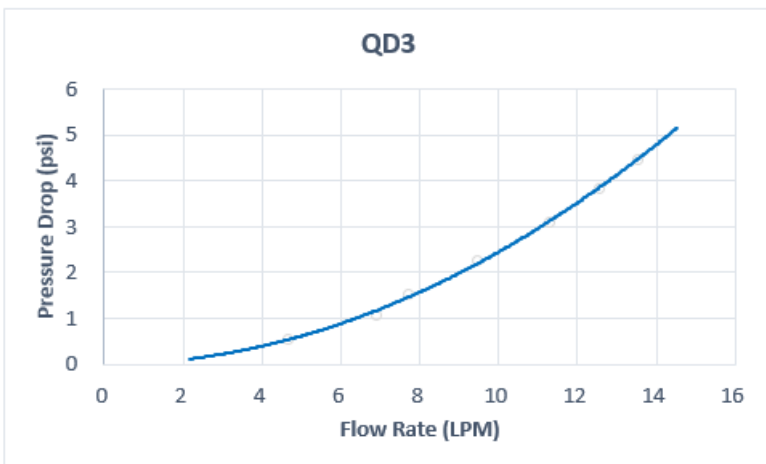
**QD3 Male Quick Disconnect No-Spill Coupling,  
Male Threaded G 1/4 BSPP \*Black\***

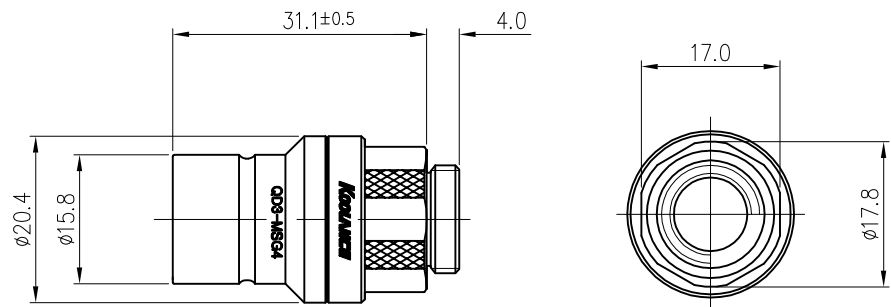


Koolance patented quick disconnect no-spill coupling with automatic shutoff. G 1/4 BSPP (parallel) thread male fitting for screwing directly into a water block or other component. It will only fit a Koolance QD3 female quick disconnect.

After pulling the ring on the female QDC side, the quick-disconnect fittings will separate. Liquid on both sides will be automatically obstructed with approximately 0.2ml freed. Coolant volume lost upon disconnection will rise with internal pressure higher than 0.5kgf/cm<sup>2</sup> (7psi).

General	
Weight	0.11 lb (0.05 kg)
Fitting Thread	G 1/4 BSPP
Materials	Brass, Chrome Plating, Stainless Steel, EPDM
Max Pressure @ 25° C	8kgf/cm <sup>2</sup> (113.8psi)
Max Temperature	100° C (212° F)





REV	DATE	CONTENTS	REVD BY	CHKD BY	APPD BY
REVISION					

NO.	DISCRIPTION			MATER'L		QUANTITY	REMARKS			
	<b>KOOLANCE</b>			DECIMAL PLACES	INCHES	MILLIMETRES	UNIT	MM	ITEM	QD3 SHORT
				.XXX	±.005	±0.1	SCALE	N/S	TITLE	QD3-MSG4
		.XX	±.010	±0.3						
		.X	±.020	±0.5						
	DATE	BY	BY	BY	APPRO BY	ANGULAR DIMENSIONS		3RD ANGLE		
						XX°	±0.5°	CODE NO.	DWG. NO.	PAGE
		SONG				XX.X°	±0.1°			
						SURFACE ROUGHNESS	SURFACE	SURFACE		
							.63	1.6		