

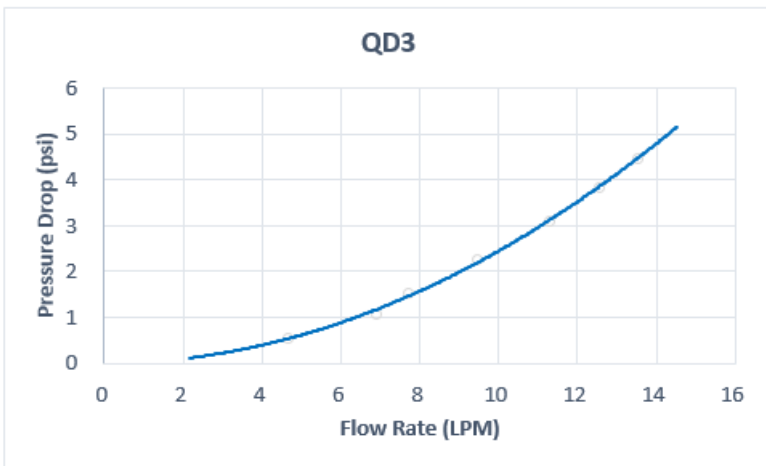
**QD3 Male Quick Disconnect No-Spill Coupling,
Male Threaded G 1/4 BSPP**

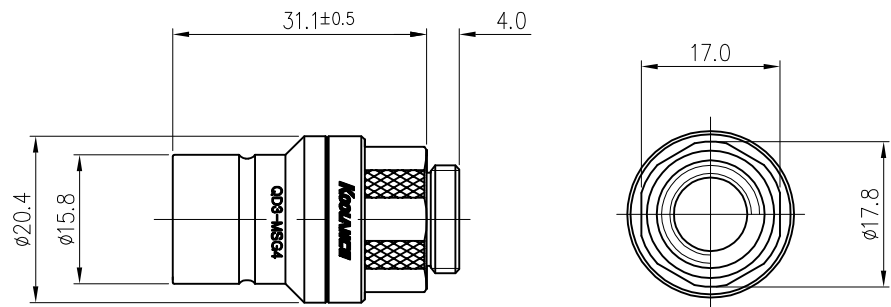


Koolance patented quick disconnect no-spill coupling with automatic shutoff. G 1/4 BSPP (parallel) thread male fitting for screwing directly into a water block or other component. It will only fit a Koolance QD3 female quick disconnect.

After pulling the ring on the female QDC side, the quick-disconnect fittings will separate. Liquid on both sides will be automatically obstructed with approximately 0.2ml freed. Coolant volume lost upon disconnection will rise with internal pressure higher than 0.5kgf/cm² (7psi).

General	
Weight	0.11 lb (0.05 kg)
Fitting Thread	G 1/4 BSPP
Materials	Brass, Nickel Plating, Stainless Steel, EPDM
Max Pressure Tolerance @ 25° C	8kgf/cm ² (113.8psi)
Max Temp. Operating Tolerance	100° C (212° F)





REV	DATE	CONTENTS	REVD BY	CHKD BY	APPD BY
REVISION					

NO.	DISCRIPTION			MATER'L		QUANTITY	REMARKS
	Koolance	DECIMAL PLACES	INCHES	MILLIMETRES	UNIT	MM	ITEM
.XXX .XX .X		±.005 ±.010 ±.020	±0.1 ±0.3 ±0.5	SCALE	N/S	TITLE	QD3-MSG4
DATE	BY	BY	BY	APPRO BY	ANGULAR DIMENSIONS		
					3RD ANGLE		
					SURFACE ROUGHNESS		PAGE
					.63 1.6		
					CODE NO.	DWG. NO.	