

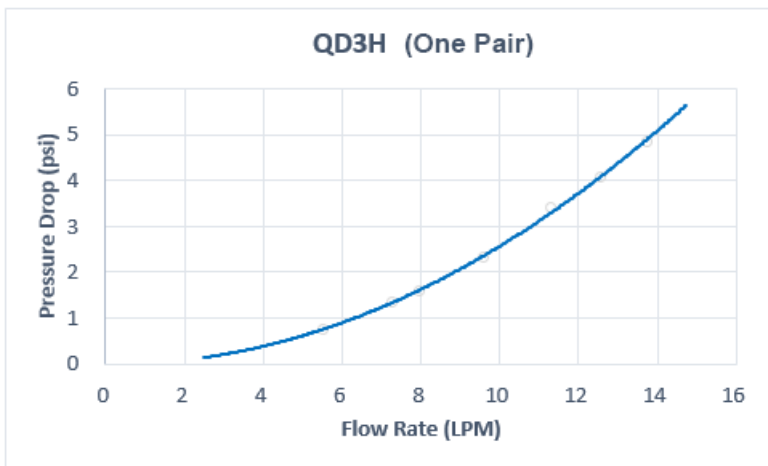
QD3H Female Quick Disconnect No-Spill Coupling, Male Threaded G 1/4 BSPP

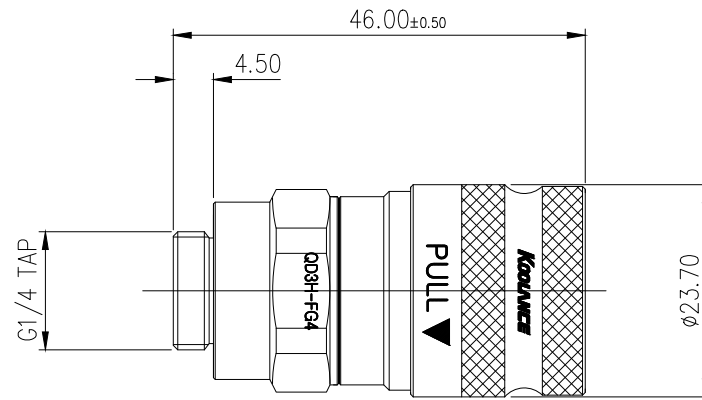
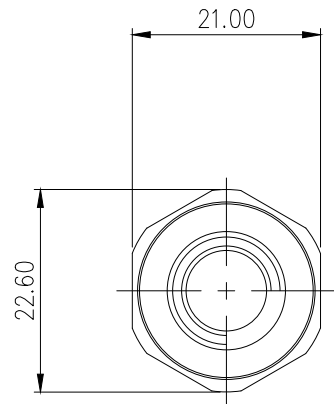


Koolance patented quick disconnect no-spill coupling with automatic shutoff. G 1/4 BSPP (parallel) thread female fitting for screwing directly into a water block or other component. It will only fit a Koolance QD3H male quick disconnect.

After pulling the ring on the female QDC side, the quick-disconnect fittings will separate. Liquid on both sides will be automatically obstructed with approximately 0.2ml freed. Coolant volume lost upon disconnection will rise with internal pressure higher than 10kgf/cm2 (142psi).

General	
Weight	0.17 lb (0.08 kg)
Fitting Thread	G 1/4 BSPP
Max No-Spill Pressure	10kgf/cm2 (142psi)
Max Pressure Tolerance @ 25° C	12kgf/cm2 (170.7psi)
Max Temperature Tolerance	80° C (176° F)
Min Pressure Tolerance @ 25° C	0.0kgf/cm2 (0psi)
Min Storage Temperature (*No Freezing)	-20° C (-4° F)
Seal Material	EPDM (Water/Glycol Liquids)
Wetted Materials	Brass, Nickel Plating, Stainless Steel, EPDM





REV	DATE	CONTENTS	APPD BY
		REVISION	

NO.	DESCRIPTION	MATER'L	QUANTITY	REMARKS
	KOOLANCE	UNIT	MM	PART NO. QD3H-FG4
		SCALE	N/S	TITLE
			3RD ANGLE	DIMENSION
	song	DWG. NO.	ITEM	QD3H