

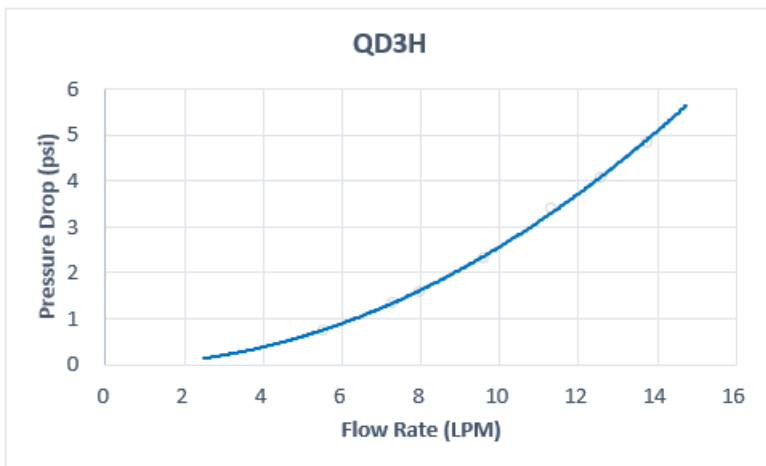
QD3H Male Quick Disconnect No-Spill Coupling, Panel Barb for ID 13mm (1/2in)

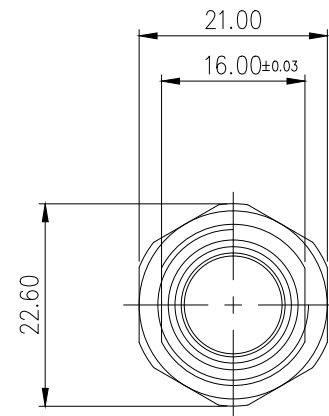
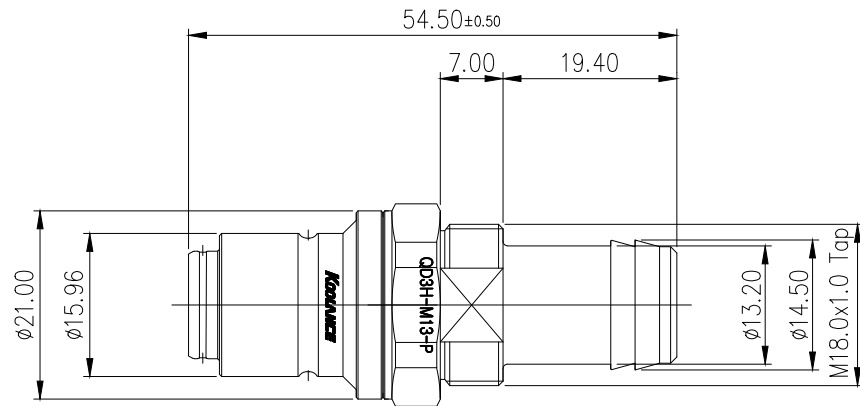
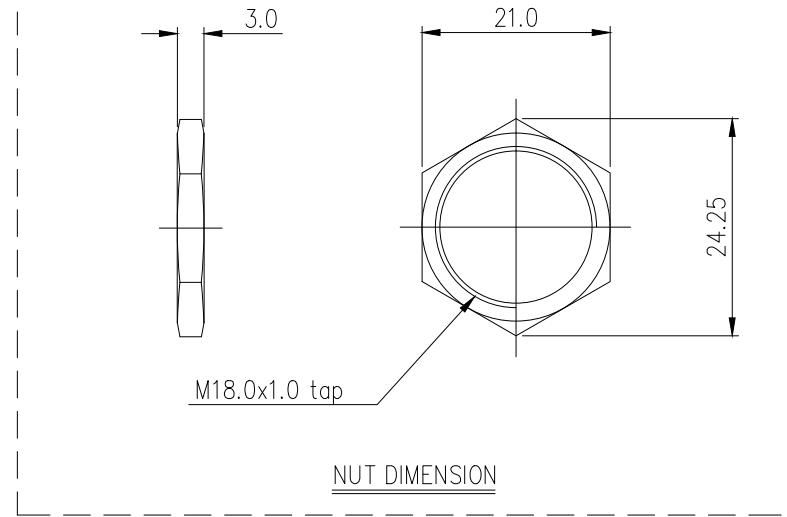


Koolance patented quick disconnect no-spill coupling with automatic shutoff. 13mm (1/2in) ID male panel-mountable hose barb with clamp for 16mm (5/8in) OD. It will only fit a Koolance QD3H female quick disconnect.

After pulling the ring on the female QDC side, the quick-disconnect fittings will separate. Liquid on both sides will be automatically obstructed with approximately 0.2ml freed. Coolant volume lost upon disconnection will rise with internal pressure higher than 10kgf/cm² (142psi).

General	
Weight	0.14 lb (0.06 kg)
Materials	Brass, Nickel Plating, Stainless Steel, EPDM
Max Pressure Tolerance @ 25° C	12kgf/cm ² (170.7psi)
Max Temp. Operating Tolerance	100° C (212° F)





REV	DATE	CONTENTS	APPD BY

NO.	DESCRIPTION	MATER'L	QUANTITY	REMARKS
		UNIT: MM	PART NO. QD3H-M13-P	
		SCALE: N/S	TITLE: DIMENSION	
DATE	BY	BY	BY	3RD ANGLE
	song			DWG. NO.
				ITEM: QD3H