

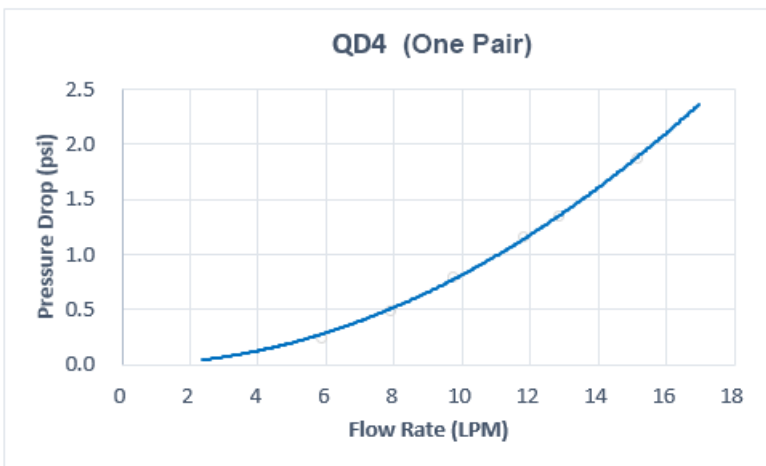
QD4 Female Quick Disconnect No-Spill Coupling, Male Threaded, 3/8 NPT

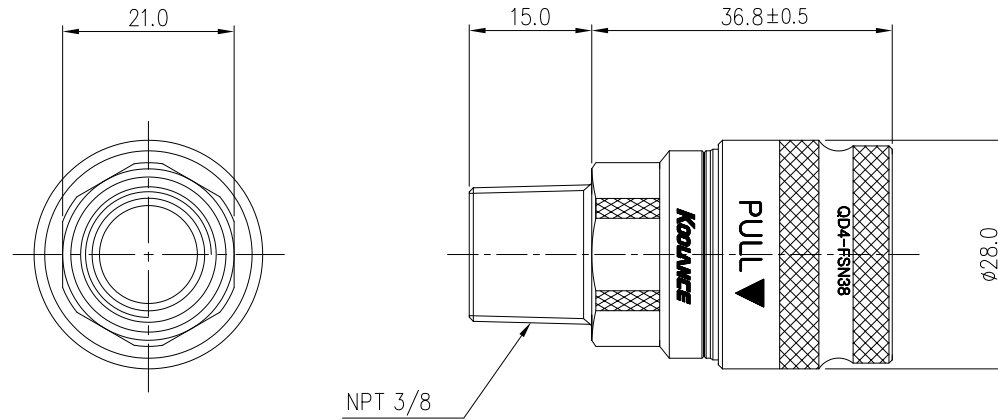


Koolance patented quick disconnect no-spill coupling with automatic shutoff. 3/8 NPT (tapered) thread female fitting for screwing directly into a component of the same threading. It will only fit a Koolance QD4 male quick disconnect.

After pulling the ring on the female QDC side, the quick-disconnect fittings will separate. Liquid on both sides will be automatically obstructed with approximately 0.2ml freed. Coolant volume lost upon disconnection will rise with internal pressure higher than 0.5kgf/cm² (7psi).

General	
Weight	0.33 lb (0.15 kg)
Fitting Thread	NPT 3/8
Max No-Spill Pressure	0.5kgf/cm ² (7psi)
Max Pressure Tolerance @ 25° C	8kgf/cm ² (113.8psi)
Max Temperature Tolerance	80° C (176° F)
Min Pressure Tolerance @ 25° C	-1.0kgf/cm ² (-14psi)
Min Storage Temperature (*No Freezing)	-20° C (-4° F)
Seal Material	EPDM (Water/Glycol Liquids)
Wetted Materials	Brass, Nickel Plating, Stainless Steel, EPDM





NO.	DISCRIPTION			MATER'L		QUANTITY	REMARKS
	KOOLANCE INC.	DECIMAL PLACES	INCHES	MILLIMETRES	UNIT	MM	ITEM
.XXX .XX .X		±.005 ±.010 ±.020	±0.1 ±0.3 ±0.5	SCALE	N/S	TITLE	QD4-FSN38
DATE	BY	BY	BY	APPRO BY	ANGULAR DIMENSIONS		3RD ANGLE
SONG					XX° XX.X°	±0.5° ±0.1°	CODE NO.
					SURFACE ROUGHNESS	SURFACE .63	SURFACE 1.6
						DWG. NO.	PAGE

REV	DATE	CONTENTS	REVD BY	CHKD BY	APPD BY
REVISION					