

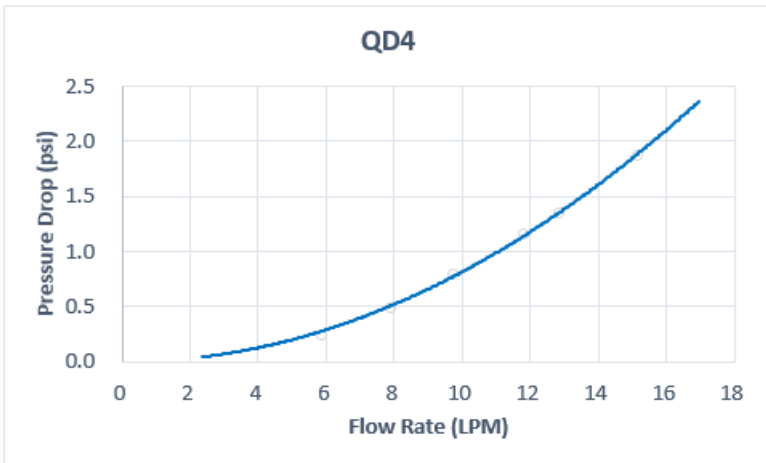
**QD4 Male Quick Disconnect No-Spill Coupling,
Compression for 13mm x 19mm (1/2in x 3/4in)
*Black***

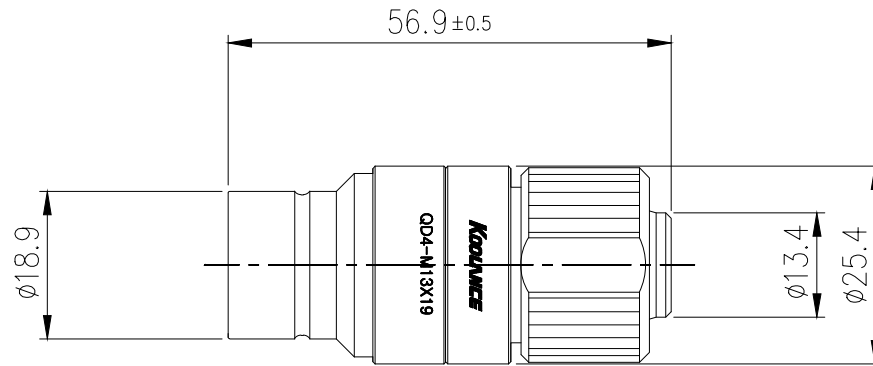


Koolance patented quick disconnect no-spill coupling with automatic shutoff. 13mm (1/2in) ID, 19mm (3/4in) OD male straight connection with compression fitting. It will only fit a Koolance QD4 female quick disconnect.

After pulling the ring on the female QDC side, the quick-disconnect fittings will separate. Liquid on both sides will be automatically obstructed with approximately 0.2ml freed. Coolant volume lost upon disconnection will rise with internal pressure higher than 0.5kgf/cm² (7psi).

General	
Weight	0.28 lb (0.13 kg)
Materials	Brass, Chrome Plating, Stainless Steel, EPDM
Max Pressure Tolerance @ 25°C	8kgf/cm ² (113.8psi)
Max Temp. Operating Tolerance	100°C (212°F)





REV	DATE	CONTENTS	REVD BY	CHKD BY	APPD BY

REVISION

NO.	DISCRIPTION			MATER'L		QUANTITY	REMARKS
	Koolance			UNIT	MM	ITEM	QD4
				SCALE	N/S	TITLE	QD4-M13X19
DATE	BY	BY	BY	ANGULAR DIMENSIONS		3RD ANGLE	
				XX'	±0.5'	CODE NO.	DWG. NO.
				XX.X'	±0.1'		PAGE
				SURFACE ROUGHNESS	SURFACE	SURFACE	
					.63	1.6	