

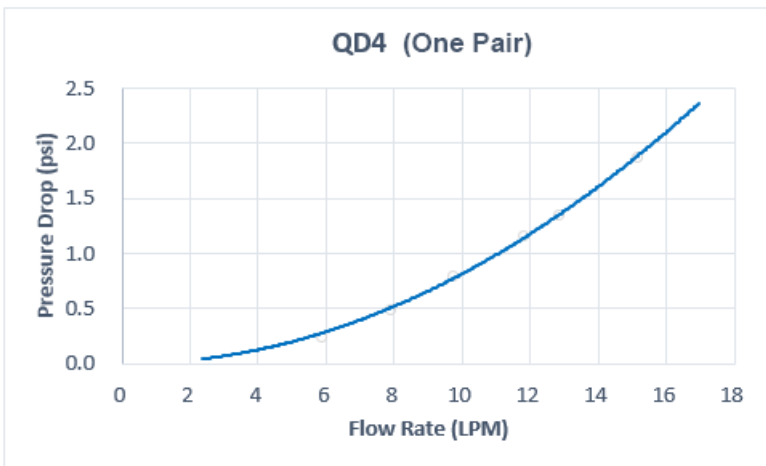
**QD4 Male Quick Disconnect No-Spill Coupling, Compression for 13mm x 19mm (1/2in x 3/4in)**

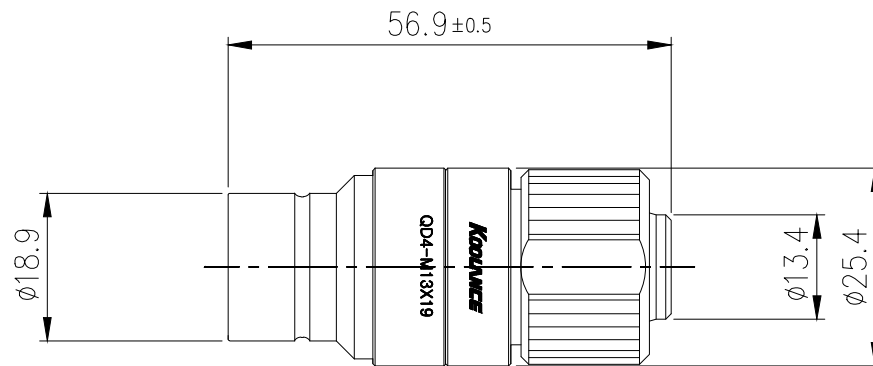


Koolance patented quick disconnect no-spill coupling with automatic shutoff. 13mm (1/2in) ID, 19mm (3/4in) OD male straight connection with compression fitting. It will only fit a Koolance QD4 female quick disconnect.

After pulling the ring on the female QDC side, the quick-disconnect fittings will separate. Liquid on both sides will be automatically obstructed with approximately 0.2ml freed. Coolant volume lost upon disconnection will rise with internal pressure higher than 0.5kgf/cm<sup>2</sup> (7psi). Maximum operating pressure is 8kgf/cm<sup>2</sup> (113.8psi) @ 25°C. Maximum operating temperature is 100°C (212°F).

General	
Weight	0.28 lb (0.13 kg)
Max No-Spill Pressure	0.5kgf/cm <sup>2</sup> (7psi)
Max Pressure Tolerance @ 25°C	8kgf/cm <sup>2</sup> (113.8psi)
Max Temperature Tolerance	80°C (176°F)
Min Pressure Tolerance @ 25°C	-1.0kgf/cm <sup>2</sup> (-14psi)
Min Storage Temperature (*No Freezing)	-20°C (-4°F)
Seal Material	EPDM (Water/Glycol Liquids)
Wetted Materials	Brass, Nickel Plating, Stainless Steel, EPDM





REV	DATE	CONTENTS	REVD BY	CHKD BY	APPD BY

REVISION

NO.	DISCRIPTION			MATER'L		QUANTITY	REMARKS			
				DECIMAL PLACES	INCHES	MILLIMETRES	UNIT	MM	ITEM	QD4
				.XXX	±.005	±0.1	SCALE	N/S	TITLE	QD4-M13X19
		.XX	±.010	±0.3						
		.X	±.020	±0.5						
DATE	BY	BY	BY	APPRO BY	ANGULAR DIMENSIONS		3RD ANGLE			
					XX°	±0.5°	CODE NO.	DWG. NO.	PAGE	
					XX.X°	±0.1°				
					SURFACE	SURFACE				
					ROUGHNESS	ROUGHNESS				
					.63	1.6				