

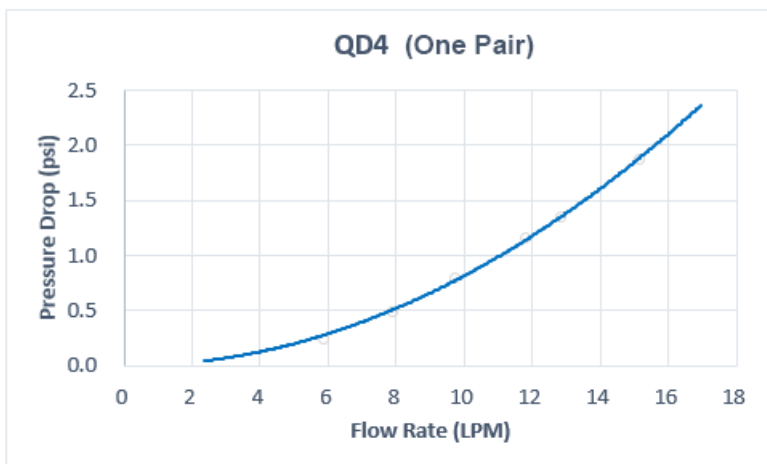
QD4 Male Quick Disconnect No-Spill Coupling, Compression for 13mm x 19mm (1/2in x 3/4in) *Black*

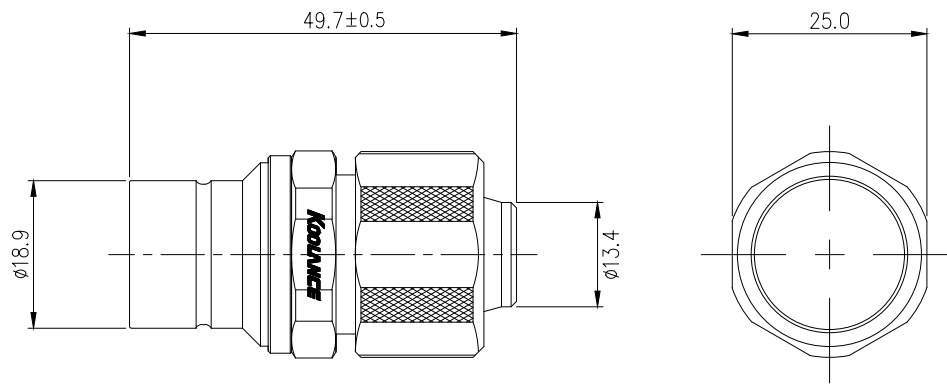


Koolance patented quick disconnect no-spill coupling with automatic shutoff. 13mm (1/2in) ID, 19mm (3/4in) OD male straight connection with compression fitting. It will only fit a Koolance QD4 female quick disconnect.

After pulling the ring on the female QDC side, the quick-disconnect fittings will separate. Liquid on both sides will be automatically obstructed with approximately 0.2ml freed. Coolant volume lost upon disconnection will rise with internal pressure higher than 0.5kgf/cm² (7psi).

General	
Weight	0.28 lb (0.13 kg)
Max No-Spill Pressure	0.5kgf/cm ² (7psi)
Max Pressure Tolerance @ 25°C	8kgf/cm ² (113.8psi)
Max Temperature Tolerance	80°C (176°F)
Min Pressure Tolerance @ 25°C	-1.0kgf/cm ² (-14psi)
Min Storage Temperature (*No Freezing)	-20°C (-4°F)
Seal Material	EPDM (Water/Glycol Liquids)
Wetted Materials	Brass, Stainless Steel, EPDM





REV	DATE	CONTENTS	REVD BY	CHKD BY	APPD BY

NO.	DISCRIPTION				MATER'L	QUANTITY	REMARKS
	KOOLANCE				DECIMAL PLACES	INCHES	MILLIMETRES
					.XXX	±.005	±0.1
		.XX	±.010	±0.3			
		.X	±.020	±0.5			
DATE	BY	BY	BY	APPRO BY	SCALE	N/S	TITLE
	SONG						QD4-MS13X19
							QD4-MS13X19-BK
					ANGULAR DIMENSIONS	3RD ANGLE	
					XX°	±0.5°	
					XX.X°	±0.1°	
					SURFACE ROUGHNESS	SURFACE	SURFACE
						.63	1.6
					CODE NO.	DWG. NO.	PAGE