

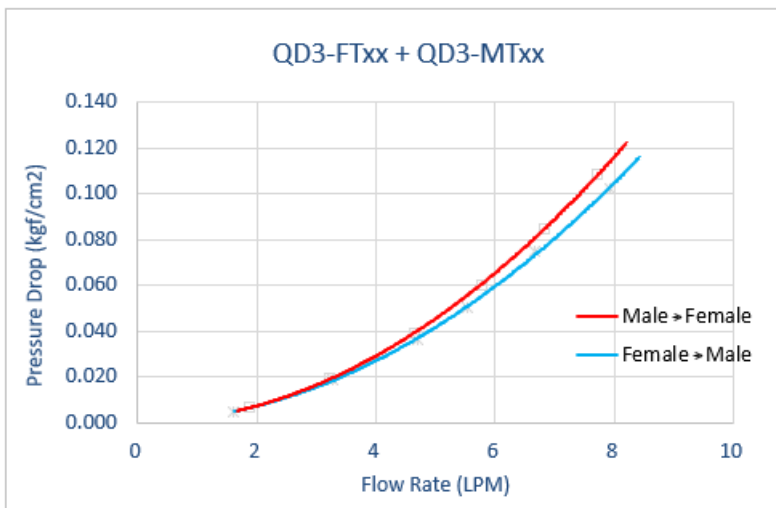
QD3 Female Quick Disconnect No-Spill Coupling, Panel Female Threaded G 1/4 BSPP

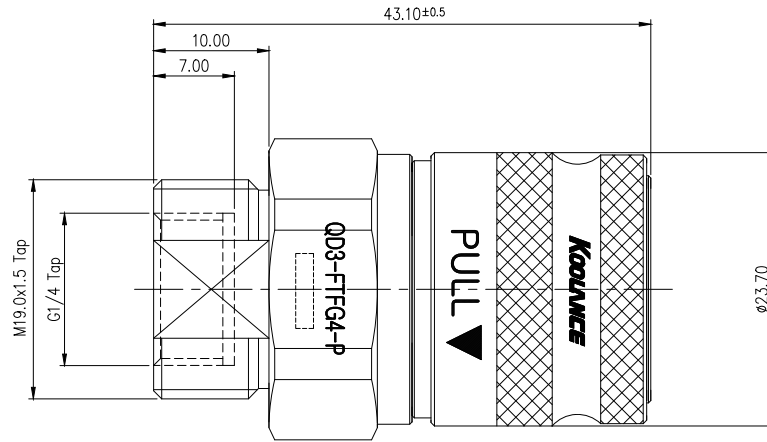
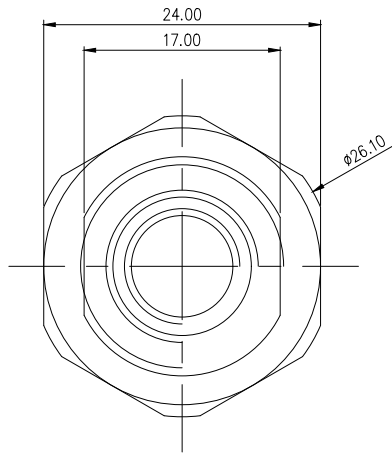


Koolance patented quick disconnect no-spill coupling with automatic shutoff. Opposite is a panel mountable female G 1/4 BSPP thread for attaching a fitting or barb. The disconnect side will only fit a Koolance QD3 male quick disconnect.

After pulling the ring on the female QDC side, the quick-disconnect fittings will separate. Liquid on both sides will be automatically obstructed with approximately 0.2ml freed. Coolant volume lost upon disconnection will rise with internal pressure higher than 0.5kgf/cm² (7psi).

General	
Weight	0.17 lb (0.08 kg)
Fitting Thread	G 1/4 BSPP
Max No-Spill Pressure	0.5kgf/cm ² (7psi)
Max Pressure Tolerance @ 25° C	8kgf/cm ² (113.8psi)
Max Temperature Tolerance	80° C (176° F)
Min Pressure Tolerance @ 25° C	-1.0kgf/cm ² (-14psi)
Min Storage Temperature (*No Freezing)	-20° C (-4° F)
Seal Material	EPDM (Water/Glycol Liquids)
Wetted Materials	Brass, Nickel Plating, Stainless Steel, EPDM





REV	DATE	CONTENTS	REVD BY	CHKD BY	APPD BY
REVISION					

NO.	DESCRIPTION				MATER'L	QUANTITY	REMARKS
					UNIT	MM	PART NO.
					SCALE	N/S	TITLE
	BY	BY	BY	APPRO BY	QD3-FTFG4-P		
DATE					3RD ANGLE		
	SONG				DWG. NO.	ITEM	REV.
						QD3 Press-fit Type	