

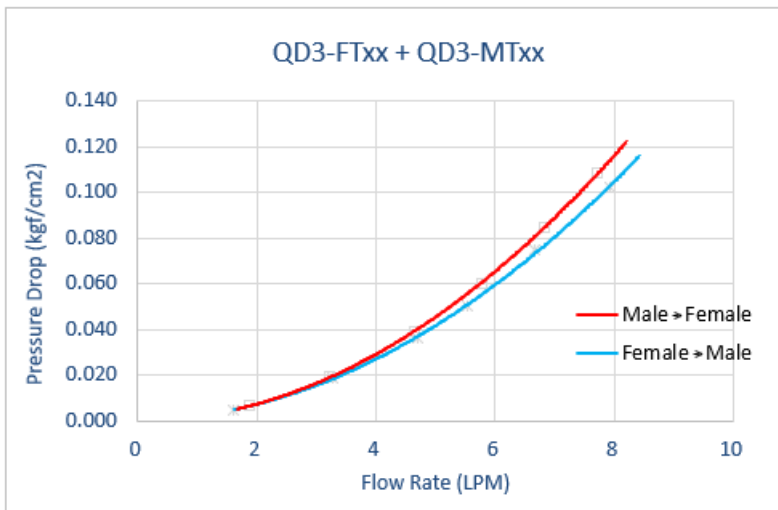
QD3 Female Quick Disconnect No-Spill Coupling, Compression for 10mm x 16mm (3/8in x 5/8in)

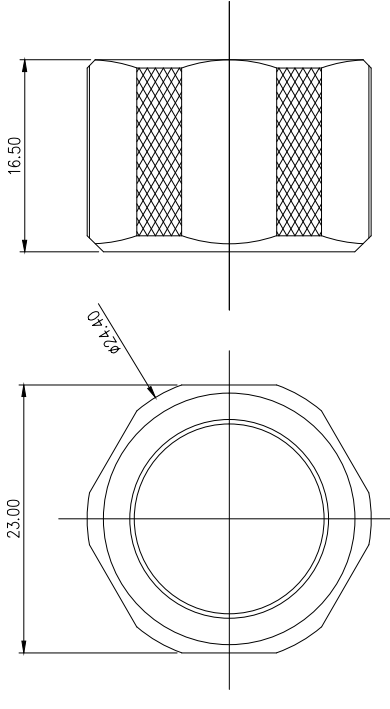


Koolance patented quick disconnect no-spill coupling with automatic shutoff. 10mm (3/8in) ID, 16mm (5/8in) OD female straight connection with compression fitting. It will only fit a Koolance QD3 male quick disconnect.

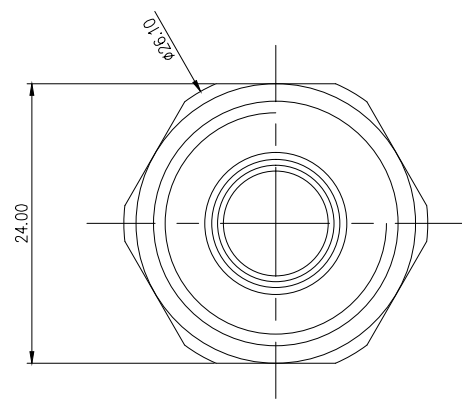
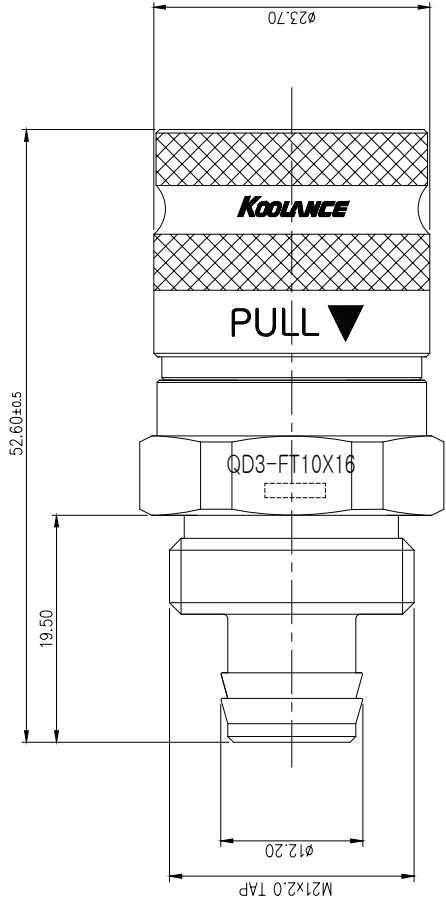
After pulling the ring on the female QDC side, the quick-disconnect fittings will separate. Liquid on both sides will be automatically obstructed with approximately 0.2ml freed. Coolant volume lost upon disconnection will rise with internal pressure higher than 0.5kgf/cm² (7psi).

General	
Weight	0.23 lb (0.10 kg)
Max No-Spill Pressure	0.5kgf/cm ² (7psi)
Max Pressure Tolerance @ 25°C	8kgf/cm ² (113.8psi)
Max Temperature Tolerance	80°C (176°F)
Min Pressure Tolerance @ 25°C	-1.0kgf/cm ² (-14psi)
Min Storage Temperature (*No Freezing)	-20°C (-4°F)
Seal Material	EPDM (Water/Glycol Liquids)
Wetted Materials	Brass, Nickel Plating, Stainless Steel, EPDM





Compression Nut



NO.	DESCRIPTION	MATER'L		QUANTITY	REMARKS
		UNIT	MM		
	Koolance				
		SCALE	N/S	PART NO.	TITLE
	DATE	BY	BY		QD3-FT10X16
		APPRD	BY		
		3RD ANGLE		ITEM	REV.
		DWG. NO.		QD3 Press-fit Type	

REV	DATE	CONTENTS	REVD BY	CHKD BY	APPD BY

REVISION