

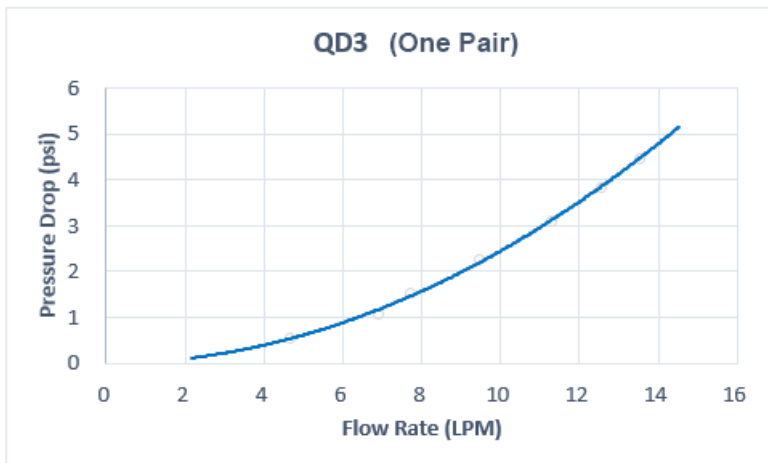
**QD3 Female Quick Disconnect No-Spill Coupling, Compression for 13mm x 16mm (1/2in x 5/8in)**

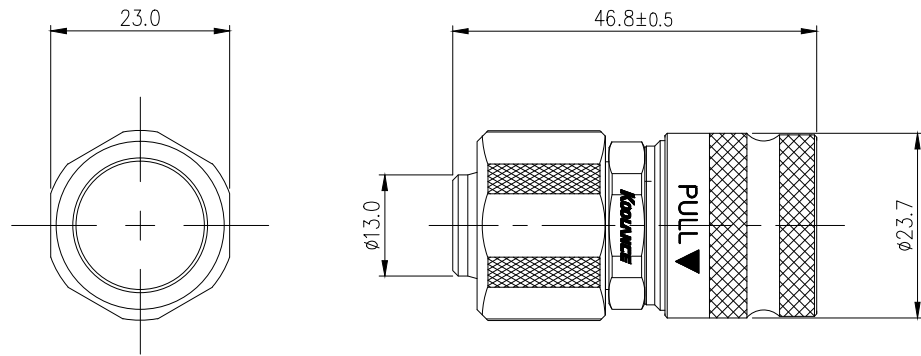


Koolance patented quick disconnect no-spill coupling with automatic shutoff. 13mm (1/2in) ID female straight connection with compression fitting. It will only fit a Koolance QD3 male quick disconnect.

After pulling the ring on the female QDC side, the quick-disconnect fittings will separate. Liquid on both sides will be automatically obstructed with approximately 0.2ml freed. Coolant volume lost upon disconnection will rise with internal pressure higher than 0.5kgf/cm<sup>2</sup> (7psi).

| General                                |  |
|--|--|
| Weight                                 | 0.23 lb (0.10 kg)                            |
| Max No-Spill Pressure                  | 0.5kgf/cm <sup>2</sup> (7psi)                |
| Max Pressure Tolerance @ 25°C          | 8kgf/cm <sup>2</sup> (113.8psi)              |
| Max Temperature Tolerance              | 80°C (176°F)                                 |
| Min Pressure Tolerance @ 25°C          | -1.0kgf/cm <sup>2</sup> (-14psi)             |
| Min Storage Temperature (*No Freezing) | -20°C (-4°F)                                 |
| Seal Material                          | EPDM (Water/Glycol Liquids)                  |
| Wetted Materials                       | Brass, Nickel Plating, Stainless Steel, EPDM |





|          |      |          |         |         |         |
|----------|------|----------|---------|---------|---------|
| REV      | DATE | CONTENTS | REVD BY | CHKD BY | APPD BY |
|          |      |          |         |         |         |
| REVISION |      |          |         |         |         |

| NO.  | DISCRIPTION     |                |        |             | MATER'L            | QUANTITY | REMARKS           |
|------|-----------------|----------------|--------|-------------|--------------------|----------|-------------------|
|      | <b>KOOLANCE</b> |                |        |             | UNIT               | MM       | ITEM QD3          |
|      |                 | DECIMAL PLACES | INCHES | MILLIMETRES | SCALE              | N/S      | TITLE QD3-FS13X16 |
|      |                 | .XXX           | ±.005  | ±0.1        |                    |          | QD3-FS13X16-BK    |
|      |                 | .XX            | ±.010  | ±0.3        |                    |          |                   |
|      |                 | .X             | ±.020  | ±0.5        |                    |          |                   |
| DATE | BY              | BY             | BY     | APPRO BY    | ANGULAR DIMENSIONS |          |                   |
|      |                 |                |        |             | XX'                | ±0.5'    |                   |
|      |                 |                |        |             | XX.X'              | ±0.1'    |                   |
|      | SONG            |                |        |             | SURFACE ROUGHNESS  |          | 3RD ANGLE         |
|      |                 |                |        |             | SURFACE            | SURFACE  | CODE NO.          |
|      |                 |                |        |             | .63                | 1.6      | DWG. NO.          |
|      |                 |                |        |             |                    |          | PAGE              |