

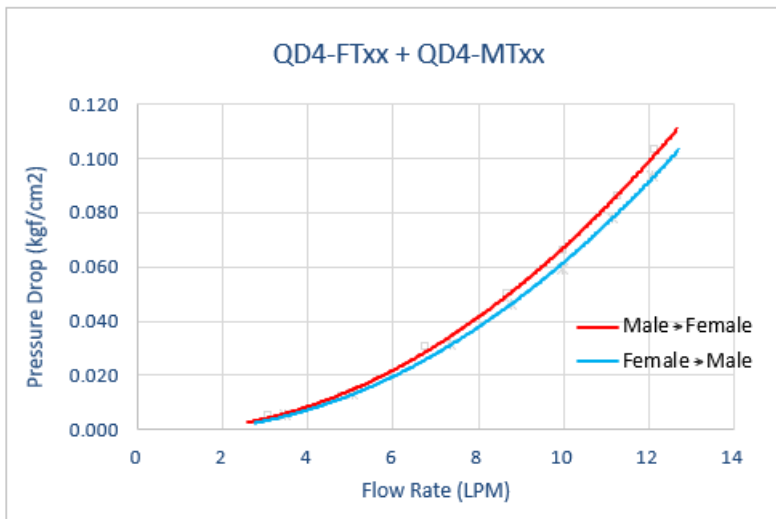
QD4 Female Quick Disconnect No-Spill Coupling, Compression for 13mm x 19mm (1/2in x 3/4in)

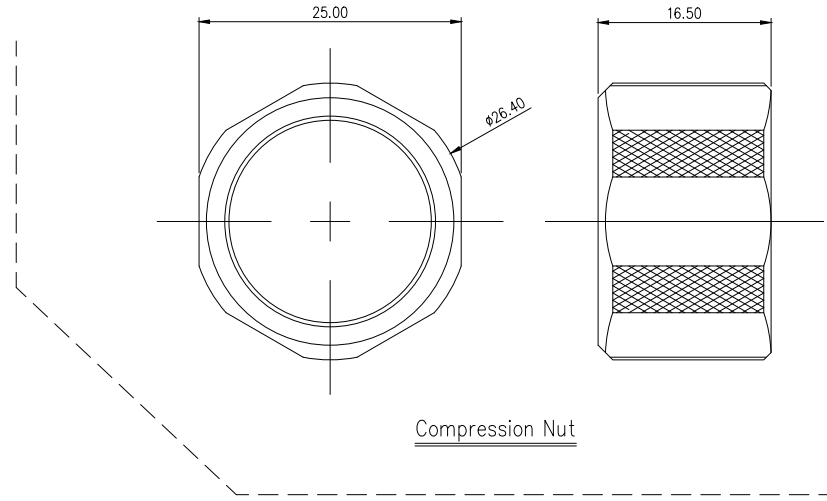
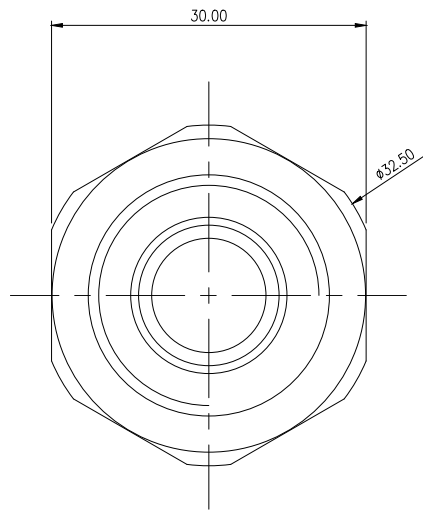


Koolance patented quick disconnect no-spill coupling with automatic shutoff. 13mm (1/2in) ID, 19mm (3/4in) OD female straight connection with compression fitting. It will only fit a Koolance QD4 male quick disconnect.

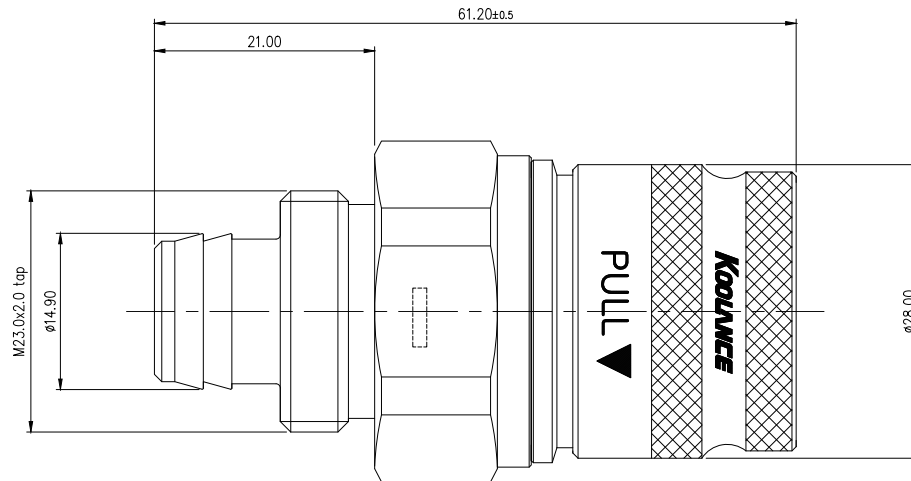
After pulling the ring on the female QDC side, the quick-disconnect fittings will separate. Liquid on both sides will be automatically obstructed with approximately 0.2ml freed. Coolant volume lost upon disconnection will rise with internal pressure higher than 0.5kgf/cm² (7psi).

General	
Weight	0.36 lb (0.16 kg)
Max No-Spill Pressure	0.5kgf/cm ² (7psi)
Max Pressure Tolerance @ 25 °C	8kgf/cm ² (113.8psi)
Max Temperature Tolerance	80 °C (176 °F)
Min Pressure Tolerance @ 25 °C	-1.0kgf/cm ² (-14psi)
Min Storage Temperature (*No Freezing)	-20°C (-4°F)
Seal Material	EPDM (Water/Glycol Liquids)
Wetted Materials	Brass, Nickel Plating, Stainless Steel, EPDM





Compression Nut



REV	DATE	CONTENTS	REVD BY	CHKD BY	APPD BY
REVISION					

NO.	DESCRIPTION	MATER'L	QUANTITY	REMARKS
		UNIT	MM	PART NO.
		SCALE	N/S	TITLE
		BY	BY	BY
		DATE		
		APPRO BY		
		3RD ANGLE		
		DWG. NO.	ITEM	REV.
			QD4 Press-fit Type	



QD4-FT13X19

QD4 Press-fit Type