

QD2 Female Quick Disconnect No-Spill Coupling, Compression for 06mm x 10mm (1/4in x 3/8in)

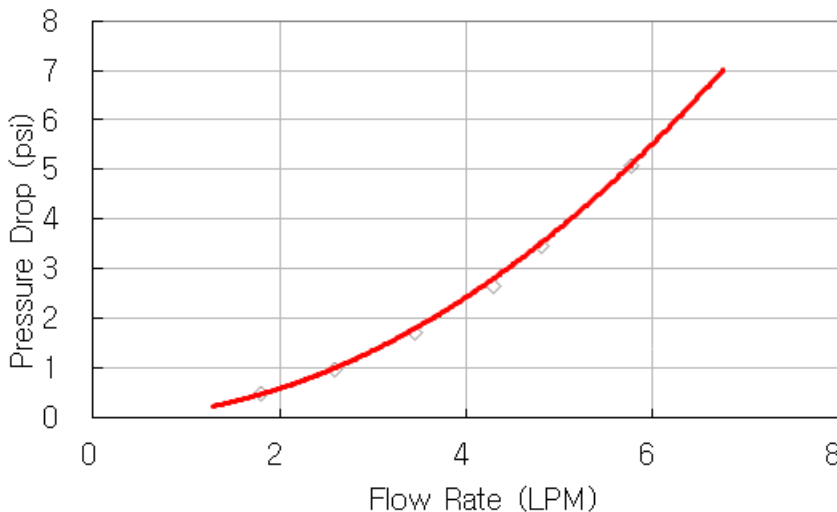


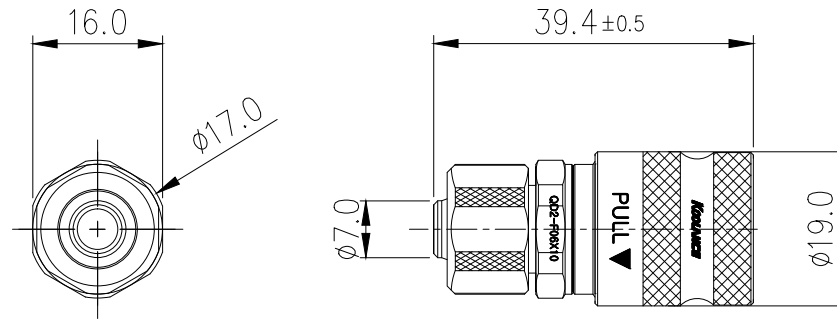
Koolance patented quick disconnect no-spill coupling with automatic shutoff. 6mm (1/4in) ID female straight connection with compression fitting. It will only fit a Koolance QD2 male quick disconnect.

After pulling the ring on the female QDC side, the quick-disconnect fittings will separate. Liquid on both sides will be automatically obstructed with approximately 0.2ml freed. Coolant volume lost upon disconnection will rise with internal pressure higher than 0.5kgf/cm² (7psi).

General	
Weight	0.13 lb (0.06 kg)
Max No-Spill Pressure	0.5kgf/cm ² (7psi)
Max Pressure Tolerance @ 25°C	8kgf/cm ² (113.8psi) connected, 5kgf/cm ² (71psi) disconnected
Max Temperature Tolerance	80°C (176°F)
Min Pressure Tolerance @ 25°C	-1.0kgf/cm ² (-14psi)
Min Storage Temperature (*No Freezing)	-20°C (-4°F)
Seal Material	EPDM (Water/Glycol Liquids)
Wetted Materials	Nickel-Plated Brass, Stainless Steel, EPDM

QD2 (One Pair)





REV	DATE	CONTENTS	APPD BY

NO.	DESCRIPTION	MATER'L	QUANTITY	REMARKS
		UNIT	MM	PART NO. QD2 SHORT
		SCALE	N/S	TITLE
			3RD ANGLE	QD2-FS06x10
			DWG. NO.	ITEM

