

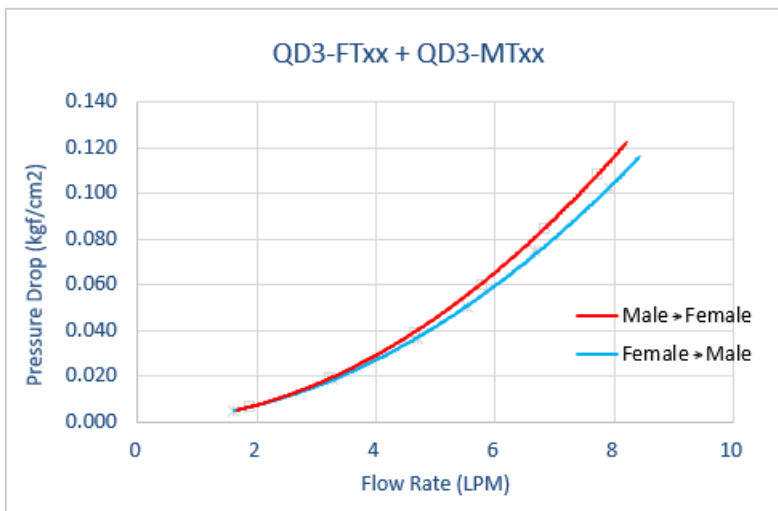
**QD3 Female Quick Disconnect No-Spill Coupling, Panel Barb for ID 13mm (1/2in)**

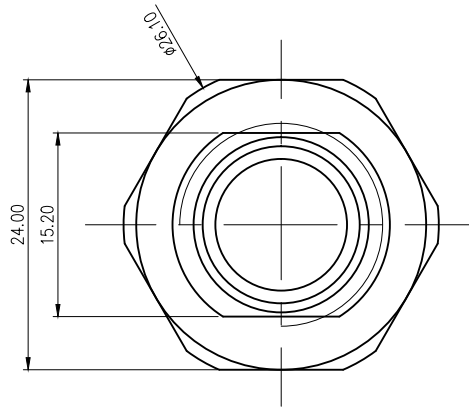
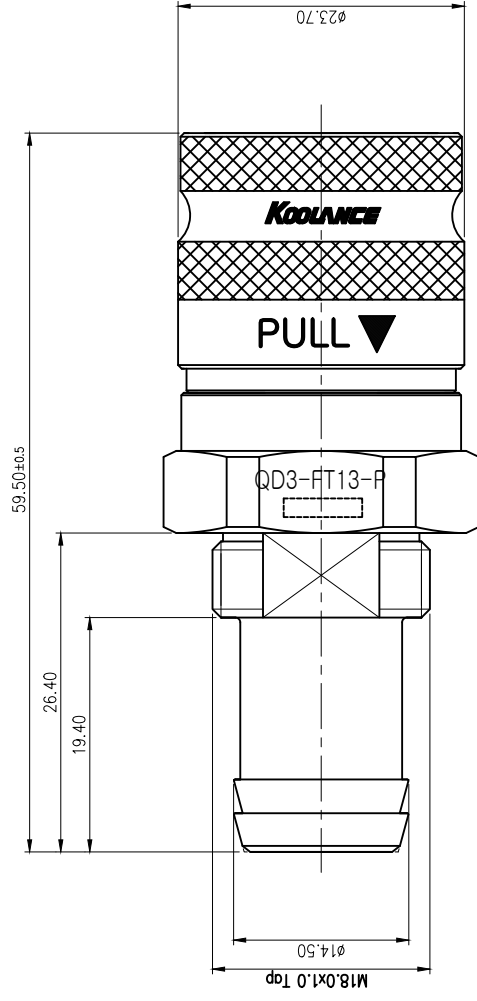


Koolance patented quick disconnect no-spill coupling with automatic shutoff. 13mm (1/2in) ID female panel-mountable barb fitting with spring clamp for 16mm OD (5/8in). It will only fit a Koolance QD3 male quick disconnect.

After pulling the ring on the female QDC side, the quick-disconnect fittings will separate. Liquid on both sides will be automatically obstructed with approximately 0.2ml freed. Coolant volume lost upon disconnection will rise with internal pressure higher than 0.5kgf/cm<sup>2</sup> (7psi).

General	
Weight	0.21 lb (0.10 kg)
Max No-Spill Pressure	0.5kgf/cm <sup>2</sup> (7psi)
Max Pressure Tolerance @ 25° C	8kgf/cm <sup>2</sup> (113.8psi)
Max Temperature Tolerance	80° C (176° F)
Min Pressure Tolerance @ 25° C	-1.0kgf/cm <sup>2</sup> (-14psi)
Min Storage Temperature (*No Freezing)	-20° C (-4° F)
Seal Material	EPDM (Water/Glycol Liquids)
Wetted Materials	Brass, Nickel Plating, Stainless Steel, EPDM





NO.	DESCRIPTION	MATER'L		QUANTITY	REMARKS
		UNIT	MM		
		PART NO.		QD3-FT13-P	
		TITLE			
	DATE	BY	BY	SCALE	N/S
	DATE	BY	BY	3RD ANGLE	
	DATE	BY	BY	DWG. NO.	ITEM
	DATE	BY	BY		QD3 Press-fit Type
	DATE	BY	BY		REV.

REV	DATE	CONTENTS	REVD BY	CHKD BY	APPD BY

REVISION