

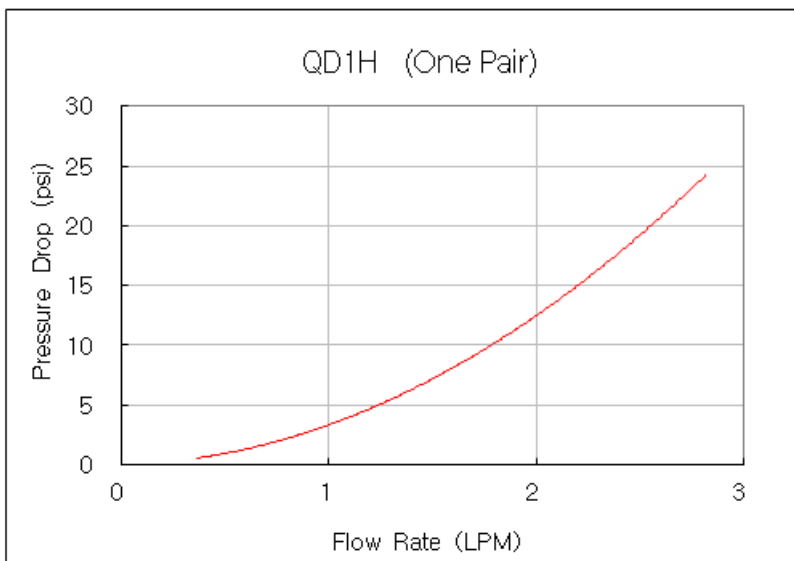
QD1H Female Quick Disconnect No-Spill Coupling, Panel Barb for 03mm (1/8in)

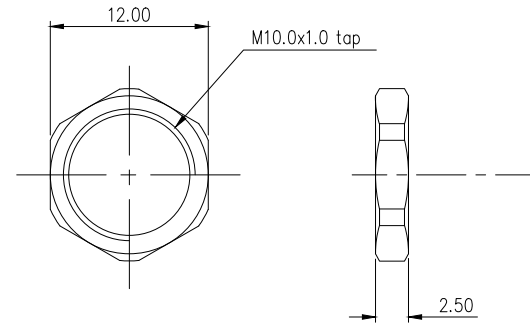


Koolance patented quick disconnect no-spill coupling with automatic shutoff. 3mm (1/8in) ID female panel-mountable barb fitting with spring clamp for 5mm (3/16in) OD. It will only fit a Koolance QD1H male quick disconnect.

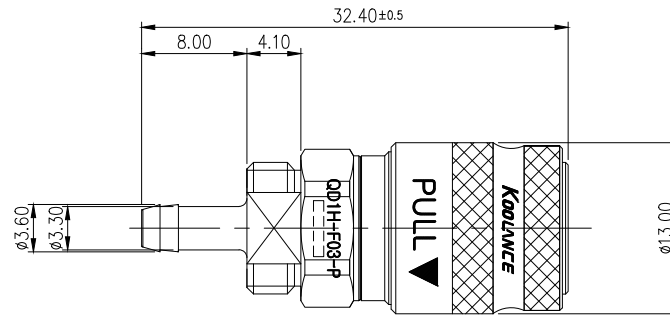
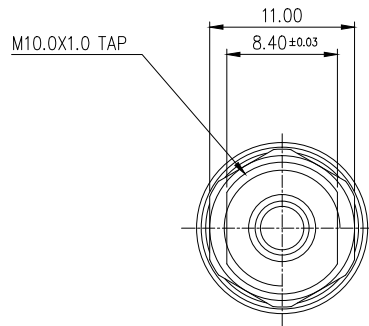
After pulling the ring on the female QDC side, the quick-disconnect fittings will separate. Liquid on both sides will be automatically obstructed with approximately 0.1ml freed. Coolant volume lost upon disconnection will rise with internal pressure higher than 10kgf/cm² (142psi).

General	
Weight	0.04 lb (0.02 kg)
Max No-Spill Pressure	10kgf/cm ² (142psi)
Max Pressure Tolerance @ 25° C	12kgf/cm ² (170.7psi)
Max Temperature Tolerance	80° C (176° F)
Min Pressure Tolerance @ 25° C	-1.0kgf/cm ² (-14psi)
Min Storage Temperature (*No Freezing)	-20° C (-4° F)
Seal Material	EPDM (Water/Glycol Liquids)
Wetted Materials	Nickel-Plated Brass, Stainless Steel, EPDM





NUT



REV	DATE	CONTENTS	REVD BY	CHKD BY	APPD BY
REVISION					

NO.	DESCRIPTION				MATER'L	QUANTITY	REMARKS
	KOOLANCE	DECIMAL PLACES	INCHES	MILLIMETERS	UNIT	MM	ITEM QD1H
		.XXX .XX .X	±.005 ±.010 ±.020	±0.1 ±0.3 ±0.5	SCALE	N/S	TITLE
DATE	BY	BY	BY	APPRO BY	3RD ANGLE		QD1H-F03-P
	SONG				CODE NO.	DWG. NO.	
					SURFACE ROUGHNESS	SURFACE	SURFACE
					.63	1.6	