

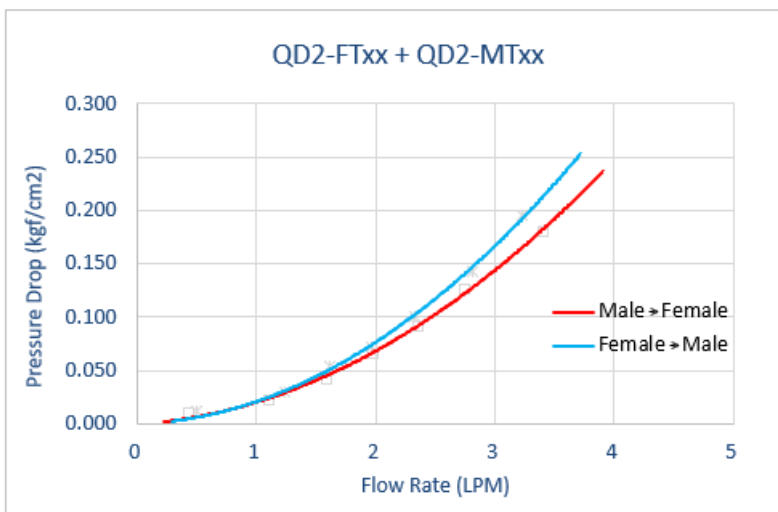
**QD2 Female Quick Disconnect No-Spill Coupling, Panel Barb for 06mm (1/4in)**



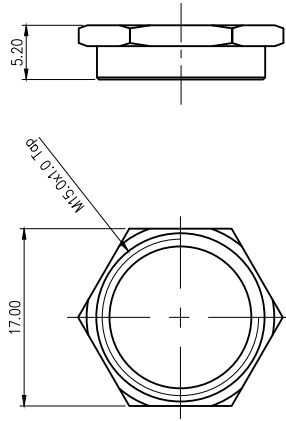
Koolance patented quick disconnect no-spill coupling with automatic shutoff. 6mm (1/4in) ID female panel-mountable barb fitting with spring clamp for 10mm (3/8in) OD. It will only fit a Koolance QD2 male quick disconnect.

After pulling the ring on the female QDC side, the quick-disconnect fittings will separate. Liquid on both sides will be automatically obstructed with approximately 0.2ml freed. Coolant volume lost upon disconnection will rise with internal pressure higher than 0.5kgf/cm<sup>2</sup> (7psi).

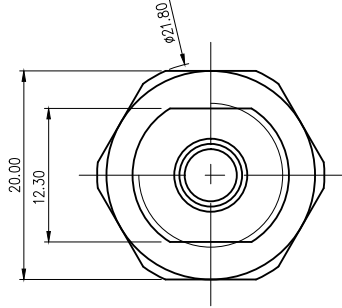
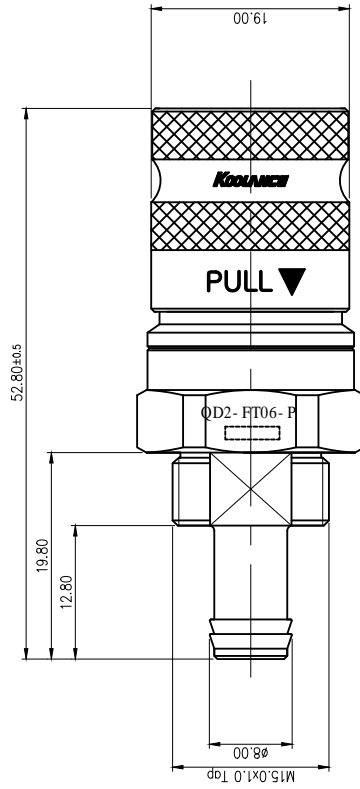
General	
Weight	0.13 lb (0.06 kg)
Max No-Spill Pressure	0.5kgf/cm <sup>2</sup> (7psi)
Max Pressure Tolerance @ 25°C	8kgf/cm <sup>2</sup> (113.8psi) connected, 5kgf/cm <sup>2</sup> (71psi) disconnected
Max Temperature Tolerance	80°C (176°F)
Min Pressure Tolerance @ 25°C	-1.0kgf/cm <sup>2</sup> (-14psi)
Min Storage Temperature (*No Freezing)	-20°C (-4°F)
Seal Material	EPDM (Water/Glycol Liquids)
Wetted Materials	Nickel-Plated Brass, Stainless Steel, EPDM




File



NUT



NO.	DESCRIPTION	MATER'L			QUANTITY	REMARKS
		UNIT	MM	N/S		
		BY	BY	BY	PART NO.	TITLE
DATE		DATE	DATE	3RD ANGLE		
	SONG				ITEM	REV.
					QD2 Press-fit Type	

REV	DATE	CONTENTS	REVD BY	CHKD BY	APPD BY

REVISION