

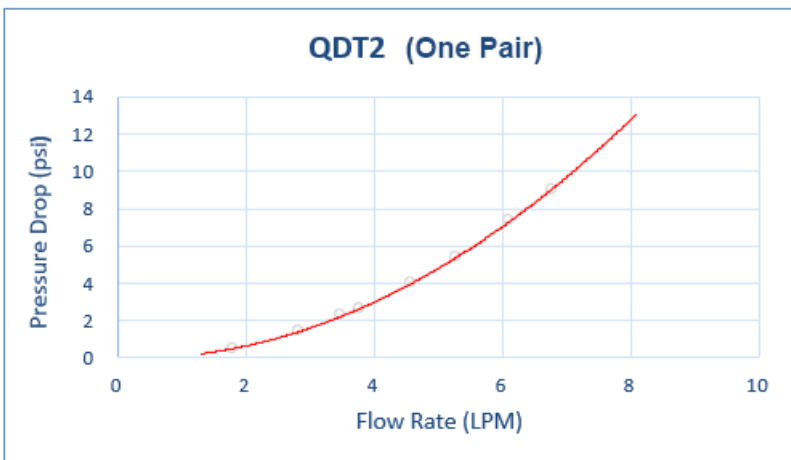
QDT2 EPDM Female Quick Disconnect No-Spill Coupling, Panel Barb for 06mm (1/4in)



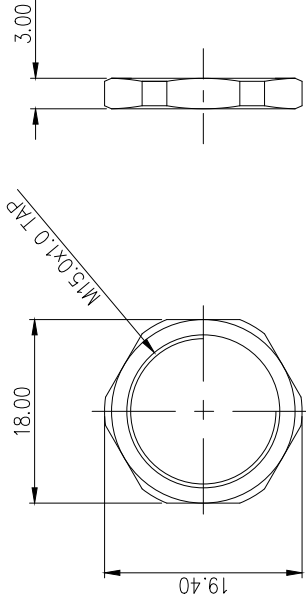
Koolance patented quick disconnect no-spill coupling with automatic shutoff. 6mm (1/4in) ID female panel-mountable barb fitting with spring clamp for 10mm (3/8in) OD. It will only fit a Koolance QDT2 male quick disconnect.

After pulling the ring on the female QDC side, the quick-disconnect fittings will separate. Liquid on both sides will be automatically obstructed with approximately 0.2ml freed.

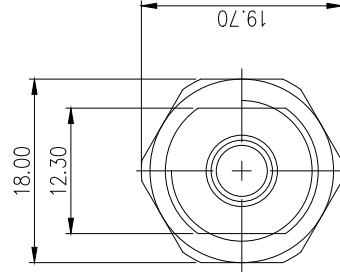
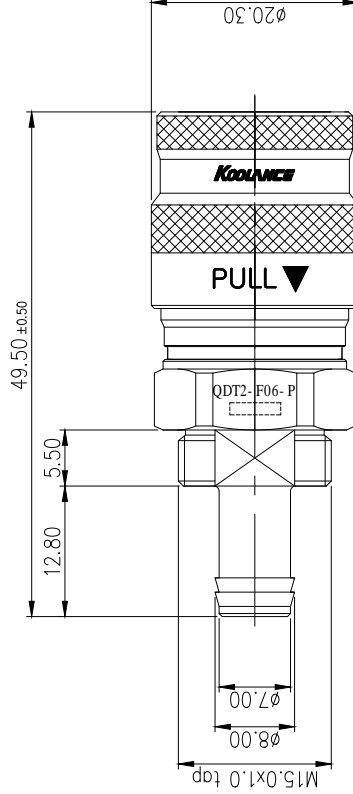
General	
Weight	0.13 lb (0.06 kg)
Max No-Spill Pressure	10kgf/cm ² (142psi)
Max Pressure Tolerance @ 25 °C	12kgf/cm ² (170.7psi)
Max Temperature Tolerance	80 °C (176 °F)
Min Pressure Tolerance @ 25 °C	-1.0kgf/cm ² (-14psi)
Min Storage Temperature (*No Freezing)	-40°C (-40°F) Connected, -30°C (-22°F) Disconnected
Seal Material	EPDM (Water/Glycol Liquids)
Wetted Materials	Chrome-Plated Brass, Stainless Steel, EPDM



File



NUT



NO.	DESCRIPTION	MATER'L		QUANTITY	REMARKS
		UNIT	MM	PART NO.	QDT2-F06-P
DATE	BY	BY	SCALE	TITLE	DIMENSION
			N/S		
			3RD ANGLE		
			DWG. NO.	ITEM	QDT2



REV	DATE	CONTENTS	REVISION	APPD BY