

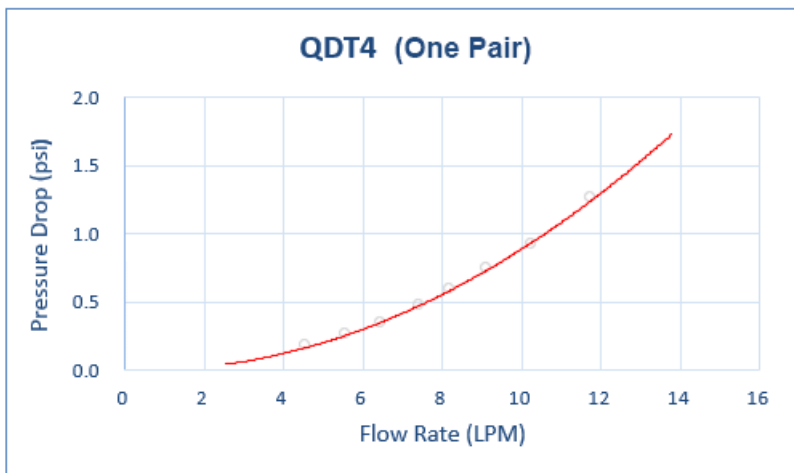
QDT4 Viton Female Quick Disconnect No-Spill Coupling, Panel Barb for ID 13mm (1/2in)

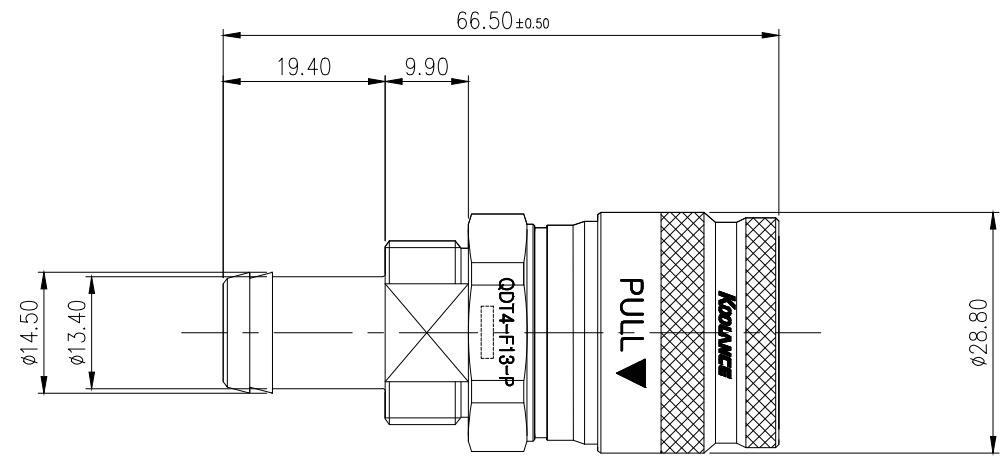
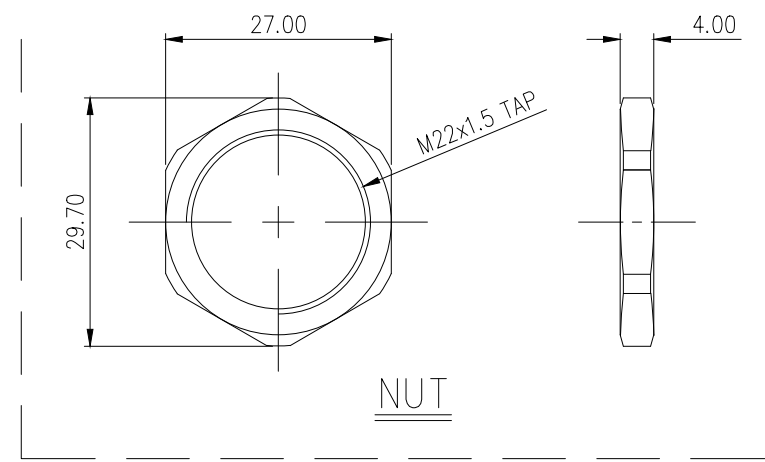
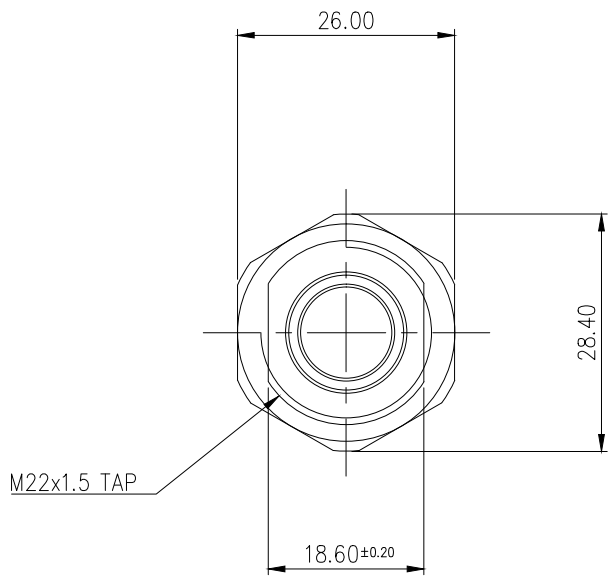


Koolance patented quick disconnect no-spill coupling with automatic shutoff. 13mm (1/2in) ID female panel-mountable barb fitting with spring clamp for 16mm (5/8in) OD. It will only fit a Koolance QDT4 male quick disconnect.

After pulling the ring on the female QDC side, the quick-disconnect fittings will separate. Liquid on both sides will be automatically obstructed with approximately 0.2ml freed.

General	
Weight	0.20 lb (0.09 kg)
Max No-Spill Pressure	10kgf/cm2 (142psi)
Max Pressure Tolerance @ 25°C	12kgf/cm2 (170.7psi)
Max Temperature Tolerance	80°C (176°F)
Min Pressure Tolerance @ 25°C	-1.0kgf/cm2 (-14psi)
Min Storage Temperature (*No Freezing)	-40°C (-40°F) Connected, -30°C (-22°F) Disconnected
Seal Material	Viton (Oil Liquids)
Wetted Materials	Chrome-Plated Brass, Stainless Steel, Viton





REV	DATE	CONTENTS	APPD BY

REVISION

NO.	DESCRIPTION	MATER'L	QUANTITY	REMARKS
		UNIT	MM	PART NO. QDT4-F13-P
		SCALE	N/S	TITLE
		DATE	3RD ANGLE	DIMENSION
		DWG. NO.		ITEM
				QDT4



BY BY BY APPRO BY

S.JLEE