

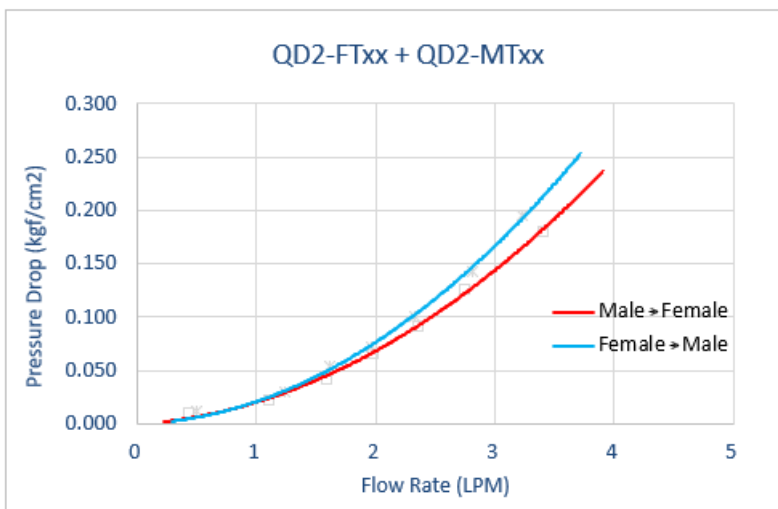
QD2 Female Quick Disconnect No-Spill Coupling, Male Threaded G 1/4 BSPP

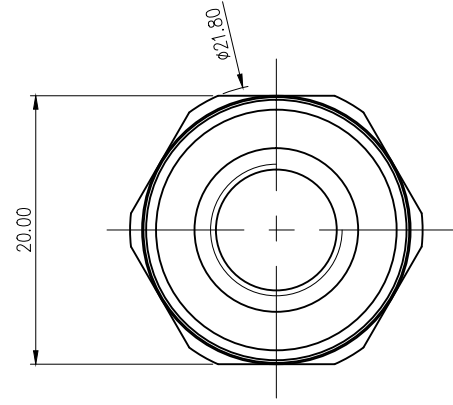
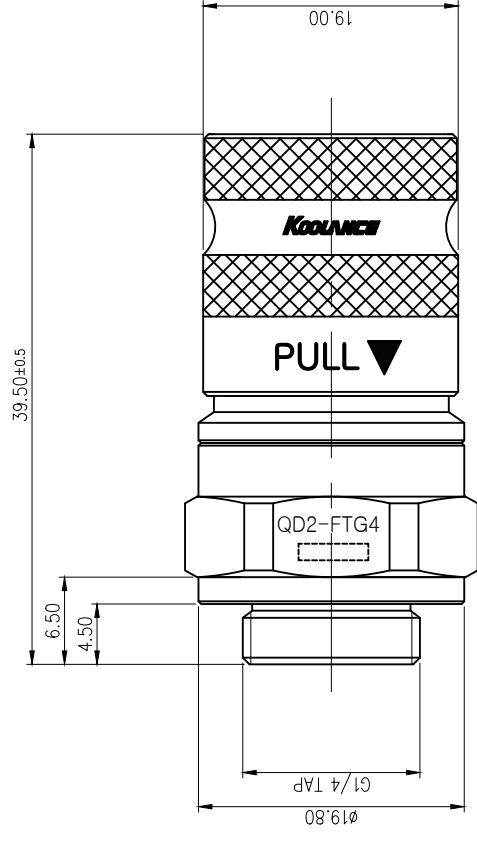


Koolance patented quick disconnect no-spill coupling with automatic shutoff. G 1/4 BSPP (parallel) thread male fitting for screwing directly into a water block or other component. It will only fit a Koolance QD2 male quick disconnect.

After pulling the ring on the female QDC side, the quick-disconnect fittings will separate. Liquid on both sides will be automatically obstructed with approximately 0.2ml freed. Coolant volume lost upon disconnection will rise with internal pressure higher than 0.5kgf/cm² (7psi).

General	
Weight	0.08 lb (0.04 kg)
Fitting Thread	G 1/4 BSPP
Max No-Spill Pressure	0.5kgf/cm ² (7psi)
Max Pressure Tolerance @ 25 °C	8kgf/cm ² (113.8psi) connected, 5kgf/cm ² (71psi) disconnected
Max Temperature Tolerance	80 °C (176 °F)
Min Pressure Tolerance @ 25 °C	-1.0kgf/cm ² (-14psi)
Min Storage Temperature (*No Freezing)	-20°C (-4°F)
Seal Material	EPDM (Water/Glycol Liquids)
Wetted Materials	Nickel-Plated Brass, Stainless Steel, EPDM





NO.	DESCRIPTION	MATER'L		QUANTITY	REMARKS
		UNIT	MM		
	Koolance	SCALE	N/S	PART NO.	
DATE		BY	BY	TITLE	QD2-FTG4
		APPRO	BY	DWG. NO.	ITEM
	SONG				QD2 Press-fit Type
					REV.

REV	DATE	CONTENTS	REVD BY	CHKD BY	APPD BY

REVISION