

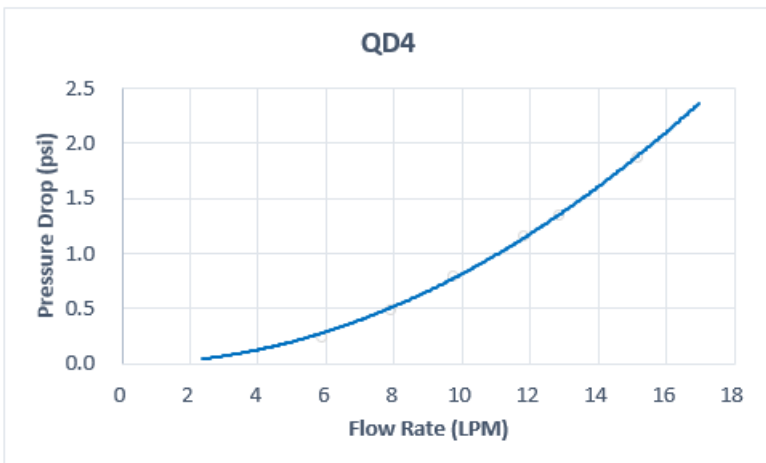
QD4 Female Quick Disconnect No-Spill Coupling, Male Threaded G 3/8 BSPP (Refurb)

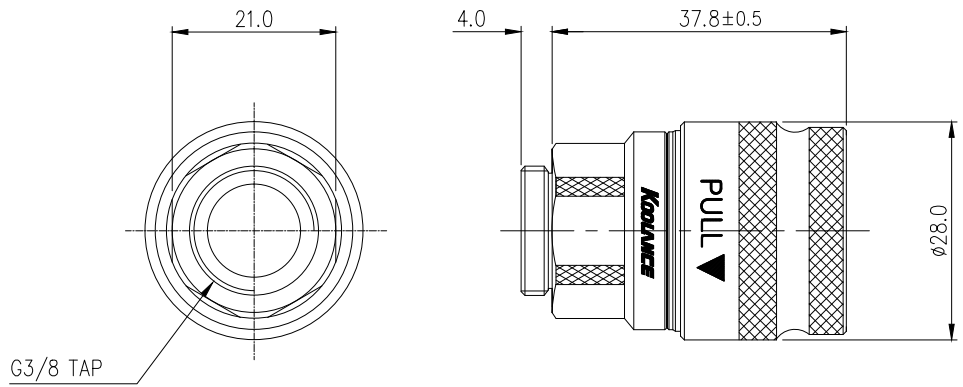


Koolance patented quick disconnect no-spill coupling with automatic shutoff. G 3/8 BSPP (parallel) thread female fitting for screwing directly into a water block or other component of same threading. It will only fit a Koolance QD4 male quick disconnect.

After pulling the ring on the female QDC side, the quick-disconnect fittings will separate. Liquid on both sides will be automatically obstructed with approximately 0.2ml freed. Coolant volume lost upon disconnection will rise with internal pressure higher than 0.5kgf/cm² (7psi).

| General | |
|--|--|
| Weight | 0.33 lb (0.15 kg) |
| Fitting Thread | G 3/8 BSPP |
| Max No-Spill Pressure | 0.5kgf/cm ² (7psi) |
| Max Pressure Tolerance @ 25° C | 8kgf/cm ² (113.8psi) |
| Max Temperature Tolerance | 80° C (176° F) |
| Min Pressure Tolerance @ 25° C | -1.0kgf/cm ² (-14psi) |
| Min Storage Temperature (*No Freezing) | -20° C (-4° C) |
| Seal Material | EPDM (Water/Glycol Liquids) |
| Wetted Materials | Brass, Nickel Plating, Stainless Steel, EPDM |





| | | | | | |
|----------|------|----------|---------|---------|---------|
| REV | DATE | CONTENTS | REVD BY | CHKD BY | APPD BY |
| | | | | | |
| REVISION | | | | | |

| NO. | DISCRIPTION | | | | MATER'L | QUANTITY | REMARKS |
|------|-----------------|----|----|----------|--------------------|-------------------------|----------------|
| | KOOLANCE | | | | UNIT | MM | ITEM QD4 |
| | | | | | SCALE | N/S | TITLE QD4-FSG8 |
| | | | | | | | QD4-FSG8-BK |
| DATE | BY | BY | BY | APPRO BY | ANGULAR DIMENSIONS | | 3RD ANGLE |
| | | | | | XX' | ±0.5' | CODE NO. |
| | | | | | XX.X' | ±0.1' | DWG. NO. |
| | SONG | | | | SURFACE ROUGHNESS | SURFACE SURFACE SURFACE | PAGE |
| | | | | | | .63 1.6 | |