

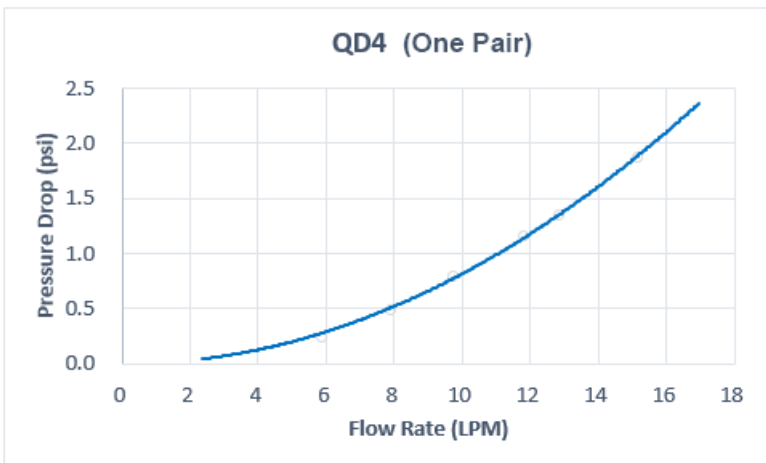
QD4 Female Quick Disconnect No-Spill Coupling, Male Threaded G 3/8 BSPP

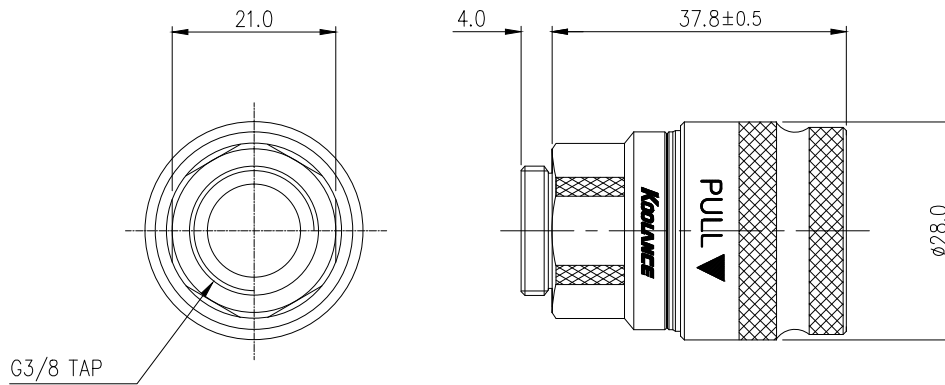


Koolance patented quick disconnect no-spill coupling with automatic shutoff. G 3/8 BSPP (parallel) thread female fitting for screwing directly into a water block or other component of same threading. It will only fit a Koolance QD4 male quick disconnect.

After pulling the ring on the female QDC side, the quick-disconnect fittings will separate. Liquid on both sides will be automatically obstructed with approximately 0.2ml freed. Coolant volume lost upon disconnection will rise with internal pressure higher than 0.5kgf/cm² (7psi).

General	
Weight	0.33 lb (0.15 kg)
Fitting Thread	G 3/8 BSPP
Max No-Spill Pressure	0.5kgf/cm ² (7psi)
Max Pressure Tolerance @ 25° C	8kgf/cm ² (113.8psi)
Max Temperature Tolerance	80° C (176° F)
Min Pressure Tolerance @ 25° C	-1.0kgf/cm ² (-14psi)
Min Storage Temperature (*No Freezing)	-20° C (-4° F)
Seal Material	EPDM (Water/Glycol Liquids)
Wetted Materials	Brass, Nickel Plating, Stainless Steel, EPDM





REV	DATE	CONTENTS	REVD BY	CHKD BY	APPD BY
REVISION					

NO.	DISCRIPTION			MATER'L	QUANTITY	REMARKS
	KOLANCE			UNIT	MM	ITEM QD4
	DECIMAL PLACES	INCHES	MILLIMETRES	SCALE	N/S	TITLE QD4-FSG8
	.XXX	±.005	±0.1			QD4-FSG8-BK
	.XX	±.010	±0.3			
	.X	±.020	±0.5			
DATE	BY	BY	APPRO BY	ANGULAR DIMENSIONS		
				XX'	±0.5'	3RD ANGLE
				XX.X'	±0.1'	CODE NO.
	SONG			SURFACE	SURFACE	DWG. NO.
				ROUGHNESS	ROUGHNESS	PAGE
				.63	1.6	