

**QD2 Female Quick Disconnect No-Spill Coupling, Male Threaded, 1/4 NPT**

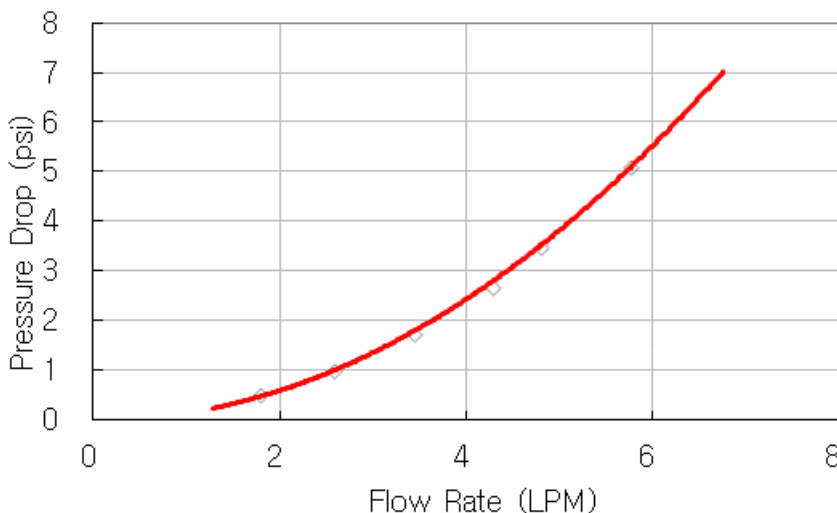


Koolance patented quick disconnect no-spill coupling with automatic shutoff. 1/4 NPT (tapered) thread for screwing directly into a component of the same threading. It will only fit a Koolance QD2 male quick disconnect.

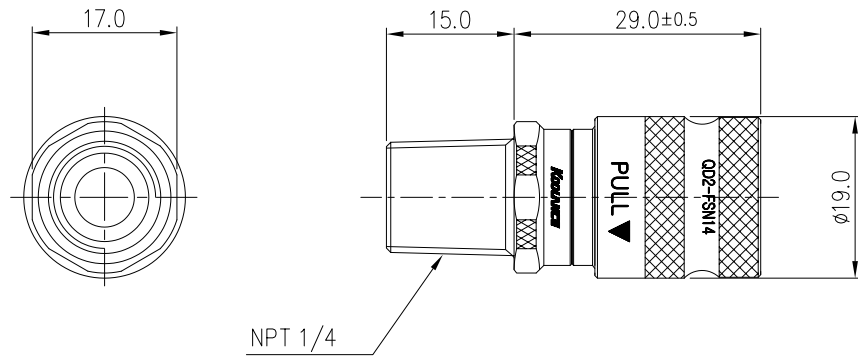
After pulling the ring on the female QDC side, the quick-disconnect fittings will separate. Liquid on both sides will be automatically obstructed with approximately 0.2ml freed. Coolant volume lost upon disconnection will rise with internal pressure higher than 0.5kgf/cm<sup>2</sup> (7psi).

General	
Weight	0.08 lb (0.04 kg)
Fitting Thread	NPT 1/4
Max No-Spill Pressure	0.5kgf/cm <sup>2</sup> (7psi)
Max Pressure Tolerance @ 25°C	8kgf/cm <sup>2</sup> (113.8psi) connected, 5kgf/cm <sup>2</sup> (71psi) disconnected
Max Temperature Tolerance	80°C (176°F)
Min Pressure Tolerance @ 25°C	-1.0kgf/cm <sup>2</sup> (-14psi)
Min Storage Temperature (*No Freezing)	-20°C (-4°F)
Seal Material	EPDM (Water/Glycol Liquids)
Wetted Materials	Nickel-Plated Brass, Stainless Steel, EPDM

QD2 (One Pair)







NPT 1/4

NO.	DISCRIPTION			MATER'L		QUANTITY	REMARKS			
	<b>Koolance</b>			DECIMAL PLACES	INCHES	MILLIMETRES	UNIT	MM	ITEM	QD2 SHORT
				.XXX	±.005	±0.1				
		.XX	±.010	±0.3	SCALE	N/S	TITLE	QD2-FSN14		
		.X	±.020	±0.5						
DATE	BY	BY	BY	APPRO	BY	ANGULAR DIMENSIONS		3RD ANGLE		
	SONG					XX°	±0.5°	CODE NO.	DWG. NO.	PAGE
						XX.X°	±0.1°			
						SURFACE	SURFACE	SURFACE		
						ROUGHNESS	.63	1.6		

REV	DATE	CONTENTS	REVD BY	CHKD BY	APPD BY
REVISION					